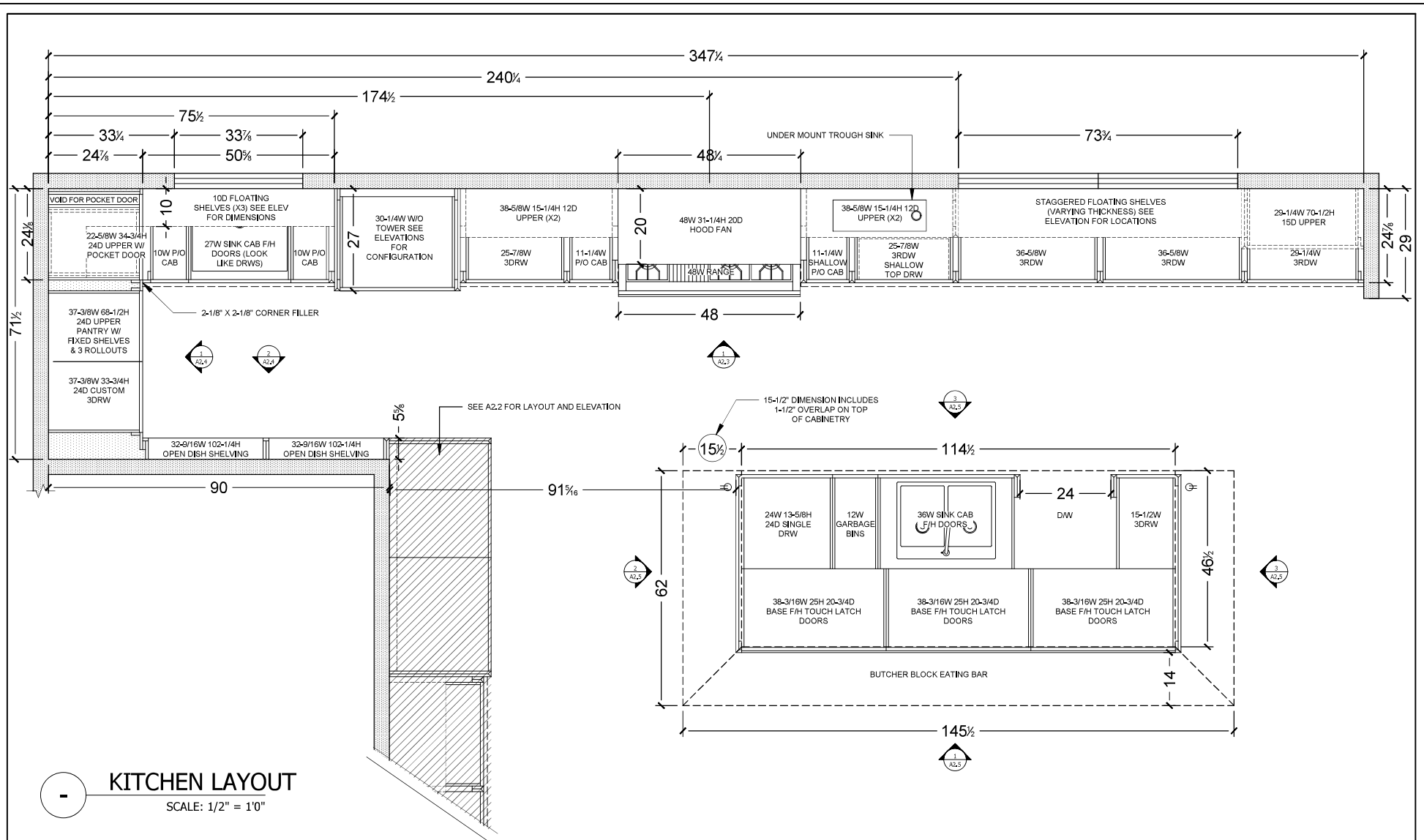


Property of The Wood Shop Millwork & Joinery est. 2015

DWG BY: S. ARDUINI



4921 Auto Rd SE
Salmon Arm, BC
V1E 1X1
P: 250-832-2552
F: 250-832-7897
info@thewoodshop.co



Project Name & Address
TWS. WHITSTONE DEVELOPMENTS
LECLAIR - LOT 5 BYERSVIEW
ARCHITECTURAL MILLWORK PLANS

REV-D

Customer / Contractor Initial
Approved For Construction

X

Room / Room #
KITCHEN

Drawing Notes

FINISH(S)

DOOR STYLE(S)

HARDWARE

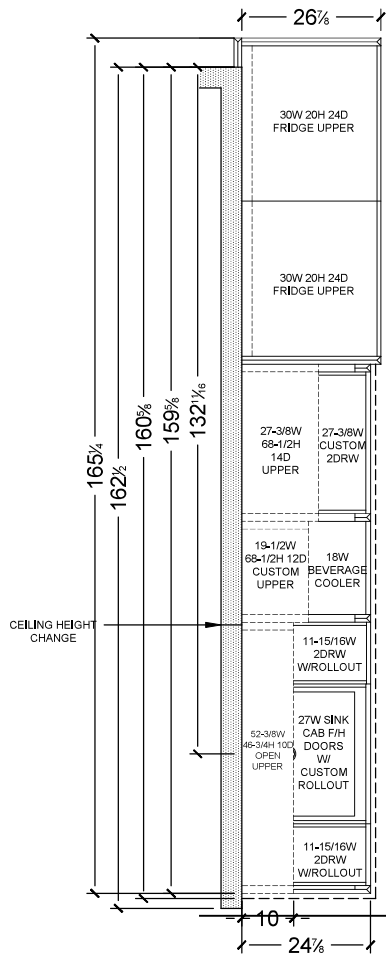
Sheet

Date
Dec-17-2024

A2.1

Property of The Wood Shop Millwork & Joinery est. 2015

DWG BY: S. ARDUINI

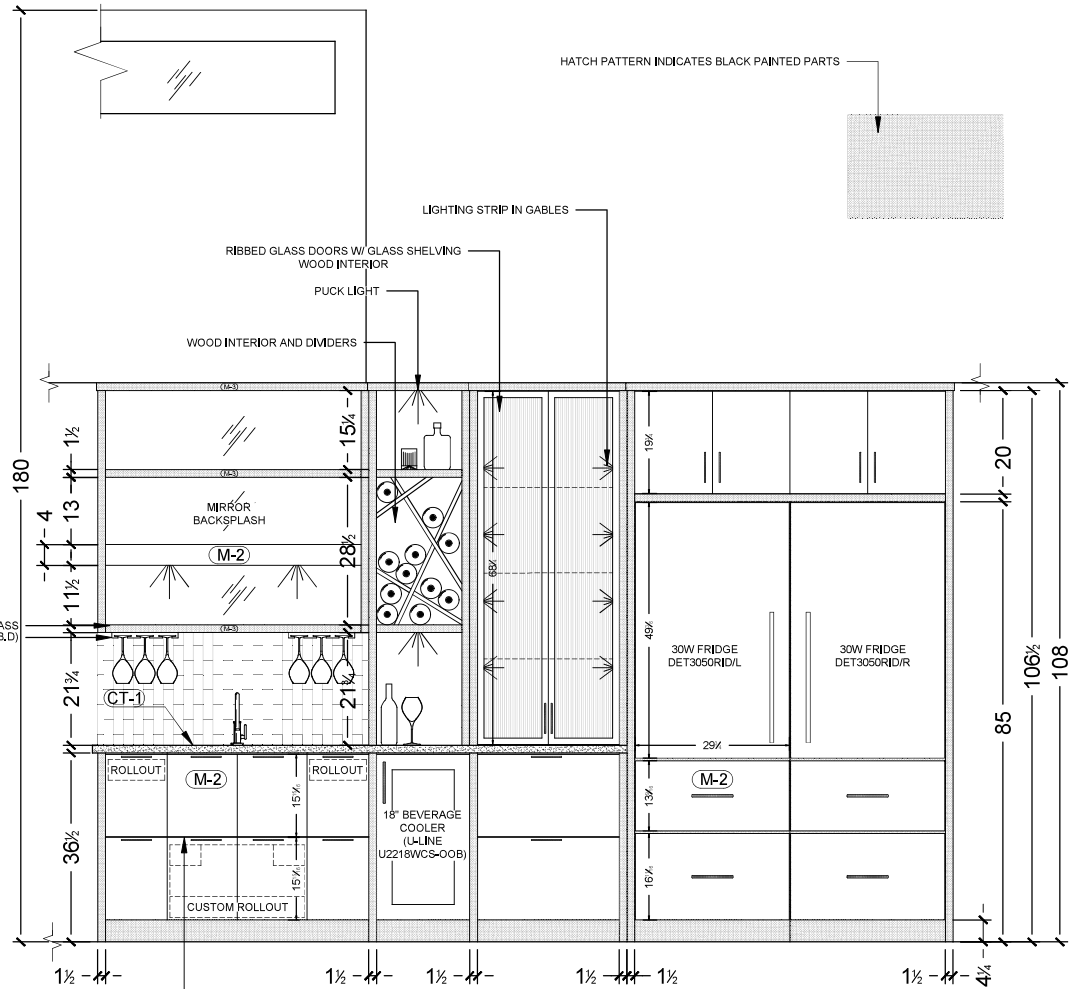


KITCHEN LAYOUT

SCALE: 1/2" = 1'0"



BOTTOM TO HAVE CENTER CUT OUT FOR GLASS GOLD STEAMWARE HOLDER (T,B,D)



KITCHEN ELEVATION

SCALE: 1/2" = 1'0"

4921 Auto Rd SE
Salmon Arm, BC
V1E 1X1
P: 250-832-2552
F: 250-832-7897
info@thewoodshop.co



Project Name & Address

TWS. WHITSTONE DEVELOPMENTS

LECLAIR - LOT 5 BYERSVIEW
ARCHITECTURAL MILLWORK PLANS

REV-D

Customer / Contractor Initial
Approved For Construction

X

Room / Room #
KITCHEN

Drawing Notes

FINISH(S)

(M-1) (M-2) (M-3)

DOOR STYLE(S)

(D-1) (D-2)

HARDWARE

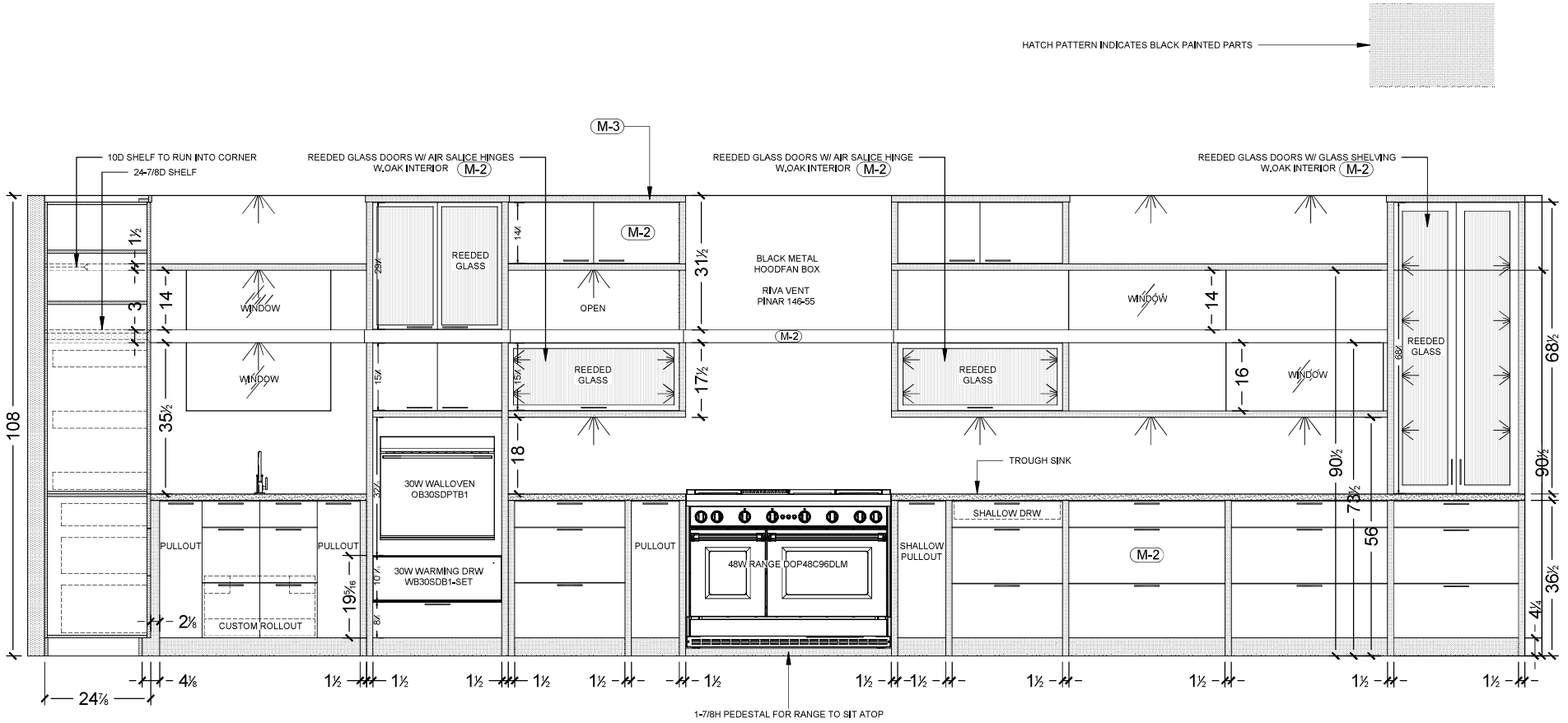
Date

Dec-17-2024

Sheet

A2.2

Property of The Wood Shop Millwork & Joinery est. 2015



HATCH PATTERN INDICATES BLACK PAINTED PARTS

KITCHEN LAYOUT
SCALE: 1/2" = 1'0"

DWG BY: S.SARDUINI

4921 Auto Rd SE
Salmon Arm, BC
V1E 1X1
P: 250-832-2552
F: 250-832-7887
info@thewoodshop.co



Project Name & Address
TWS. WHITSTONE DEVELOPMENTS
LECLAIR - LOT 5 BYERSVIEW
ARCHITECTURAL MILLWORK PLANS

REV-D

Customer / Contractor Initial
Approved For Construction

X

Room / Room #
KITCHEN

Drawing Notes

FINISH(S)

(M-2) (M-3)

DOOR STYLE(S)

(D-1) (D-2)

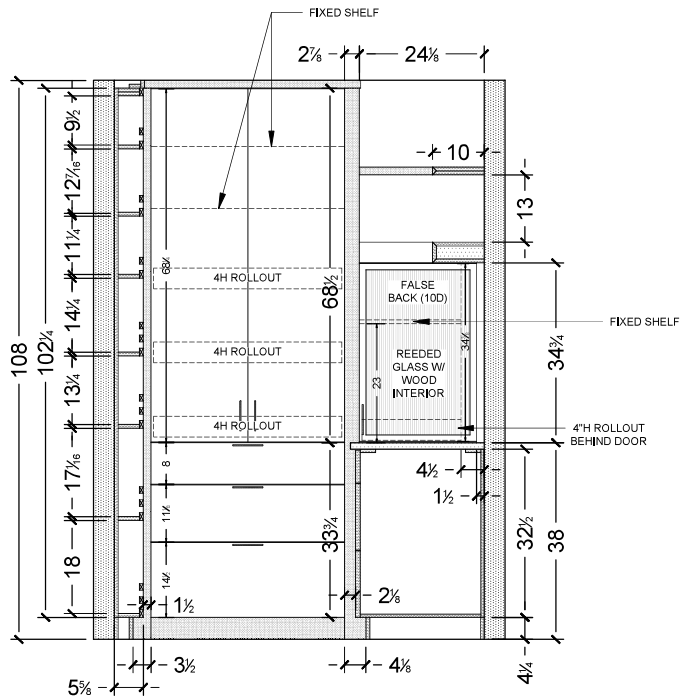
HARDWARE

Date

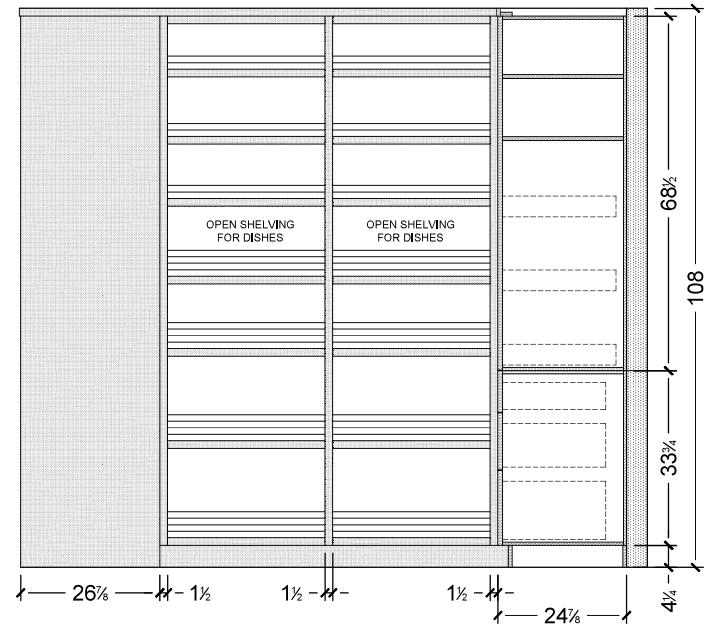
Dec-17-2024

Sheet

A2.3



KITCHEN LAYOUT
SCALE: 1/2" = 1'0"



KITCHEN LAYOUT
SCALE: 1/2" = 1'0"

4921 Auto Rd SE
Salmon Arm, BC
V1E 1X1
P: 250-832-2552
F: 250-832-7897
info@thewoodshop.ca



Project Name & Address
TWS. WHITSTONE DEVELOPMENTS
LECLAIR - LOT 5 BYERSVIEW
ARCHITECTURAL MILLWORK PLANS

REV-D

Customer / Contractor Initial
Approved For Construction

X

Room / Room #
KITCHEN

Drawing Notes

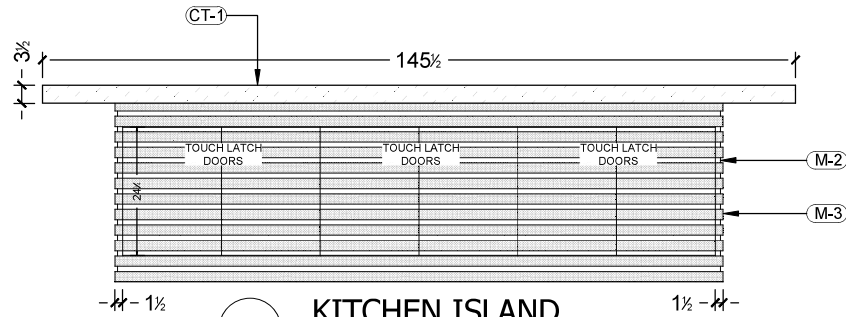
FINISH(S)
(M-1) (M-2)

DOOR STYLE(S)
(D-1)

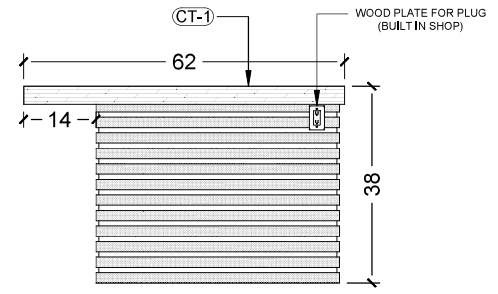
HARDWARE
(HW-1)

Date
Dec-17-2024

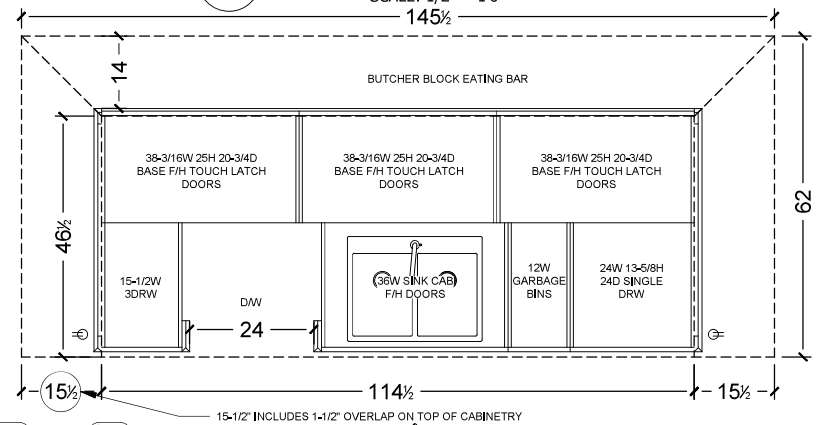
Sheet
A2.4



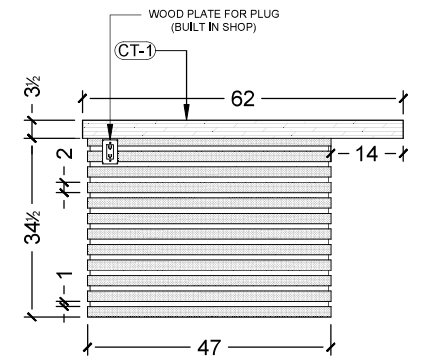
1 KITCHEN ISLAND
SCALE: 1/2" = 1'0"



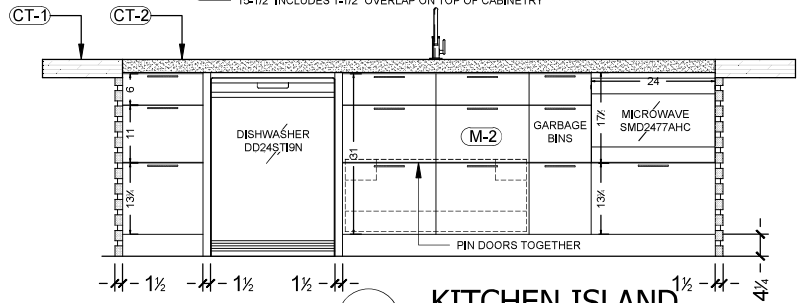
4 KITCHEN ISLAND
SCALE: 1/2" = 1'0"



3 KITCHEN ISLAND
SCALE: 1/2" = 1'0"



2 KITCHEN ISLAND
SCALE: 1/2" = 1'0"



4921 Auto Rd SE
Salmon Arm, BC
V1E 1X1
P: 250-832-2552
F: 250-832-7887
info@thewoodshop.co



Project Name & Address
TWS. WHITSTONE DEVELOPMENTS
LECLAIR - LOT 5 BYERSVIEW
ARCHITECTURAL MILLWORK PLANS
REV-D

Customer / Contractor Initial
Approved For Construction
X

Room / Room #
KITCHEN
Drawing Notes

FINISH(S)
(M-2) (M-3)

DOOR STYLE(S)
(D-1)

HARDWARE
Date
Dec-17-2024

Sheet
A2.5