

30" Series 9 Minimal Self-Cleaning Oven

Series 9 | Minimal

Black

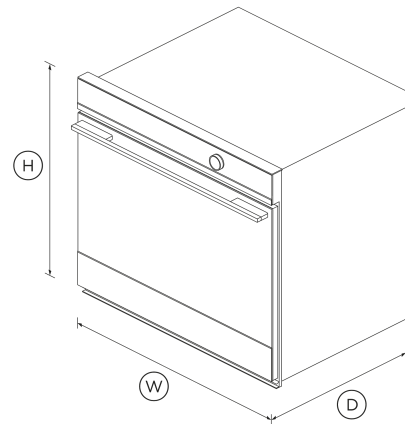


With elegant minimal styling, advanced cook functions and touchscreen, this large built-in oven is a highlight of our collection.

- Guided cooking using your touchscreen makes it simple to cook by food, function or recipe.
- 4.1 cu ft total capacity, with 17 oven functions including Aero™ Pastry and Roast, Air Fry and Dehydrate
- Non-tip, full extension sliding shelves for safe removal of hot dishes
- Accessories include food probe, smokeless grill tray, and more

DIMENSIONS

Height	27 3/16 "
Width	29 15/16 "
Depth	23 15/16 "



FEATURES & BENEFITS

Cook With Confidence

Our touchscreen interface provides an intuitive guided cooking experience that helps deliver perfect results, whether you've been cooking all your life or just starting out. Cook with a favorite method, a hero ingredient, or a go-to cooking function or recipe.

Generous Capacity

With its 4.1 cu ft total capacity, you can create several perfectly cooked dishes at once using multiple shelves.

Multi-Function Flexibility

The cooking functions have each been tailored, tested, tweaked and perfected to ensure that no matter what you're cooking, you've got the right heat to match. Purchase our Wireless Temperature Sensor accessory and precisely monitor cooking in real time (accessory sold separately).

Exceptional Performance

AeroTech circulates heat evenly for a consistent temperature throughout the cavity, helping you ensure perfect results even when cooking on multiple shelves.

Self-Cleaning

Our self-clean technology breaks down food residue at a very high temperature, leaving a light ash that's easily removed with a damp cloth. The enamel coated side racks don't need to be removed when using this function.

Design Freedom

Available in an elegant black or a stylish black with stainless steel, this oven is designed to fit seamlessly into your kitchen. Premium materials and detailing to support a cohesive, considered kitchen design.

SPECIFICATIONS

Accessories (included)

Full extension sliding shelves	3 sets
Grill rack	1 set
Roasting dish	1
Smokeless grill tray	1
Wired temperature sensor	1

Capacity

Shelf positions	8
-----------------	----------

Total capacity	4.1 cu ft	Functions		Power requirements	
Usable capacity	3.6 cu ft	Aero Broil	•	Amperage	16.6 - 19.4 A
<hr/>		Aero™ Bake	•	Supply voltage	208 / 240 V
Cleaning		Air fry	•	<hr/>	
Acid resistant graphite enamel	•	Bake	•	Product dimensions	
Removable oven door	•	Broil	•	Depth	23 15/16 "
Removable shelf runners	•	Classic bake	•	Height	27 3/16 "
<hr/>		Dehydrate	•	Width	29 15/16 "
Consumption		Maxi Broil	•	<hr/>	
Energy usage	402kWh/year	Number of functions	17	Safety	
In-use energy carbon emissions estimate	49.6kgCO2e/year	Pastry Bake	•	Balanced oven door	•
<hr/>		Pizza bake	•	Catalytic venting system	•
Controls		Pyrolytic self-clean	•	Control panel key lock	•
Adjustable audio and display settings	•	Rapid proof	•	CoolTouch door	•
Automatic cooking/minute timer	•	Roast	•	Non-tip shelves	•
Automatic pre-set temperatures	•	Slow cook	•	<hr/>	
Celsius/Fahrenheit temperature	•	True Aero	•	SKU	81862
Electronic clock	•	Vent bake	•	<hr/>	
Electronic oven control	•	Warm	•	The product dimensions and specifications in this page apply to the specific product and model. Under our policy of continuous improvement, these dimensions and specifications may change at any time. You should therefore check with Fisher & Paykel's Customer Care Centre to ensure this page correctly describes the model currently available. © Fisher & Paykel Appliances Ltd 2020	
Food probe	•	Performance		<hr/>	
Guided cooking by food type and recipes	•	AeroTech™ technology	•	Other product downloads available at fisherpaykel.com	
Intuitive touchscreen display	•	Automatic rapid pre-heat	•	<hr/>	
Multi-language display	UK English, US English, Simplified Chinese, Français, Español	Broil power	4400 W	↓ 2D-DWG Oven	
Sabbath mode with Star K certification	•	Broil width	20 mm		
Smart appliance	•	Broil width	20 "		
<hr/>		Number of passes on broil	10		
		Number of passes on Maxi Broil	12		
		<hr/>			

- [↓](#) 2D-DXF Oven
- [↓](#) Energy Label Oven
- [↓](#) Energy Label
- [↓](#) Service & Warranty
- [↓](#) Installation Guide EN / Guide d'installation FR
- [↓](#) Guide d'installation FR
- [↓](#) Installation Guide
- [↓](#) Planning Guide - Minimal 30" Built-in Ovens and Companions
- [↓](#) Revit Oven
- [↓](#) Rhino Oven
- [↓](#) Sketchup Oven
- [↓](#) Guide d'utilisation FR
- [↓](#) Guide d'utilisation FR
- [↓](#) User Guide

Where applicable:

All appliances use energy, and energy usage typically generates carbon emissions. **Fisher & Paykel Appliances' In-use Energy Carbon Emissions Estimate** indicates carbon emissions from a product's in-use energy. This is calculated either annually or per cycle, using the product's market-specific energy label energy consumption data multiplied by the carbon emissions factor for energy in your country or region.

Our In-use Energy Carbon Emissions Estimate is designed to assist customers in making informed purchasing decisions when comparing different Fisher & Paykel products. For example, a heat pump dryer typically has a lower In-use Energy Carbon Emissions Estimate than a vented dryer.



A PEACE OF MIND SALE
24 Hours 7 Days a Week Customer Support
T 1.888.936.7872 W www.fisherpaykel.com