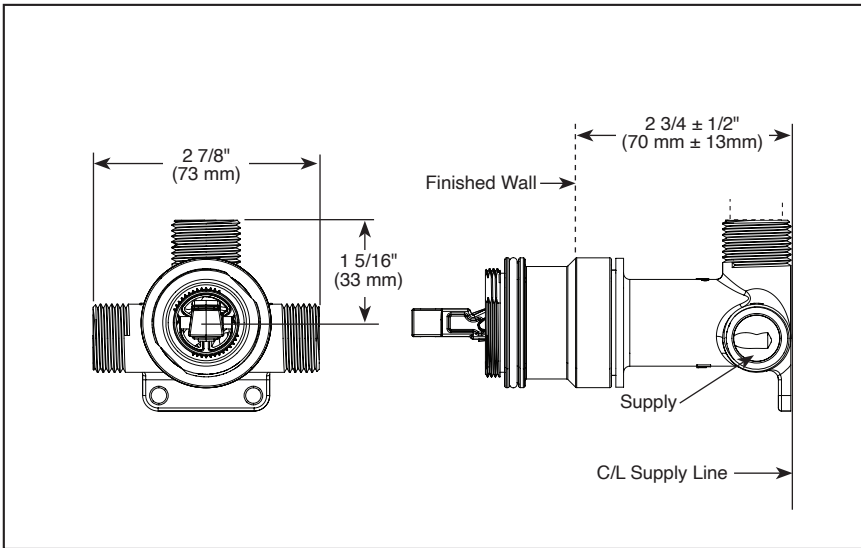


R3510-WL

Submitted Model No.: _____

Specific Features: _____



see what Delta can do™

ROUGH VALVE BODY

- R3510-WL
- 1/2" Rough-In

STANDARD SPECIFICATIONS

- Forged brass body.
- Control mechanism is the diamond embedded ceramic disc cartridge.
- Can be tested with air (200 psi) or water (300 psi) using supplied cartridge.
- Refer to the installation instructions for more details.
- Must order trim separately.

WARRANTY

- Lifetime limited warranty on parts (other than electronic parts and batteries) and finishes: or, for commercial users, for 5 years from date of purchase.
- 5 year limited warranty on electronic parts (other than batteries); or, for commercial users, for 1 year from the date of purchase. No warranty is provided on batteries.

COMPLIES WITH:

- ASME A112.18.1 / CSA B125.1