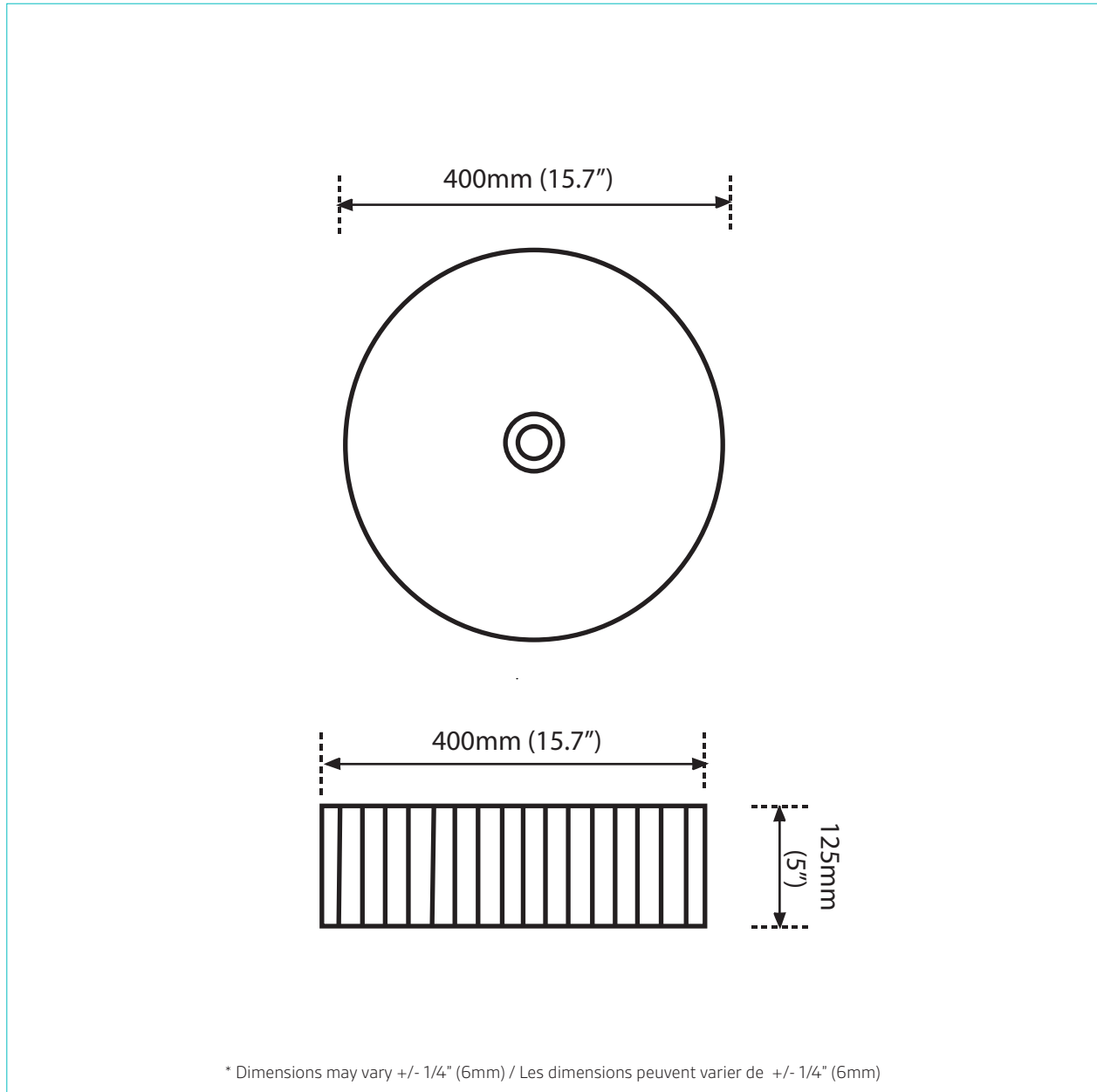




CERAMIC
BASIN

BASIN
CÉRAMIQUE

CCB-545



DIMENSIONS		WEIGHT POIDS	MATERIAL MATERIEL	DRAIN HOLE DIAMETER DIAMÈTRE DU TROU DE VIDANGE
15.74 x 15.74 x 4.9" 400 x 400 x 125 mm		20 lbs 9 Kg	Ceramic Céramique	1.77" 45mm
FINISH FINITION	DRAIN LOCATION LOCATION DU DRAIN	PIECES PIÈCES	COMPLIANCE CERTIFICATIONS:	
White Blanc	Center Centre	1 pc	Uniform Plumbing Code National Plumbing Code of Canada ASME A112.19.2-2018/CSA B45.1-18	