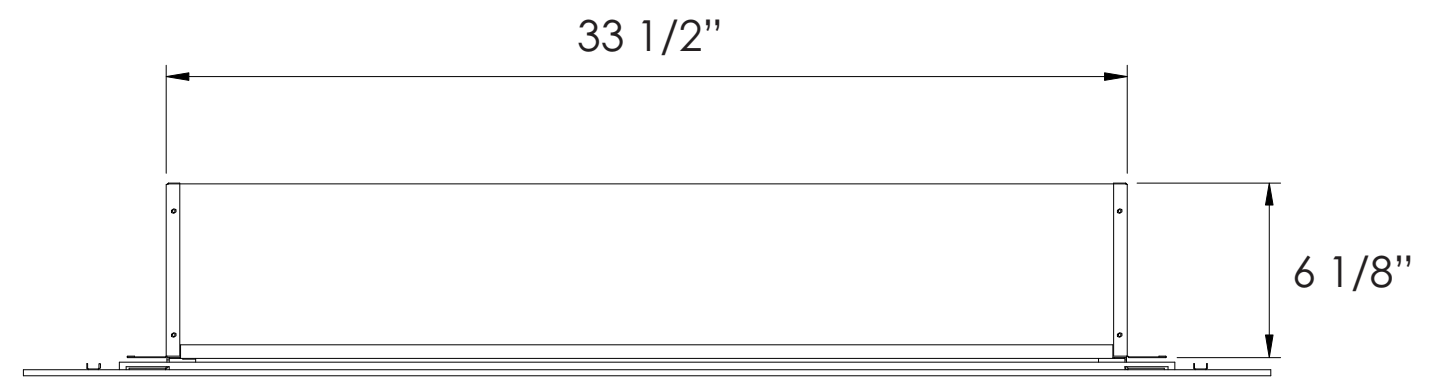
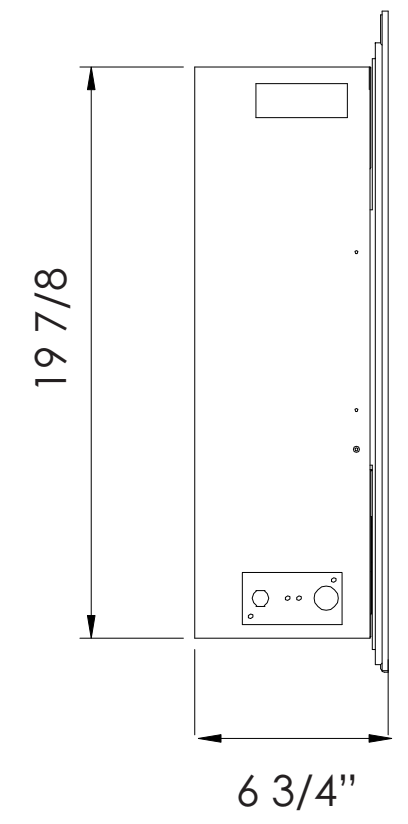
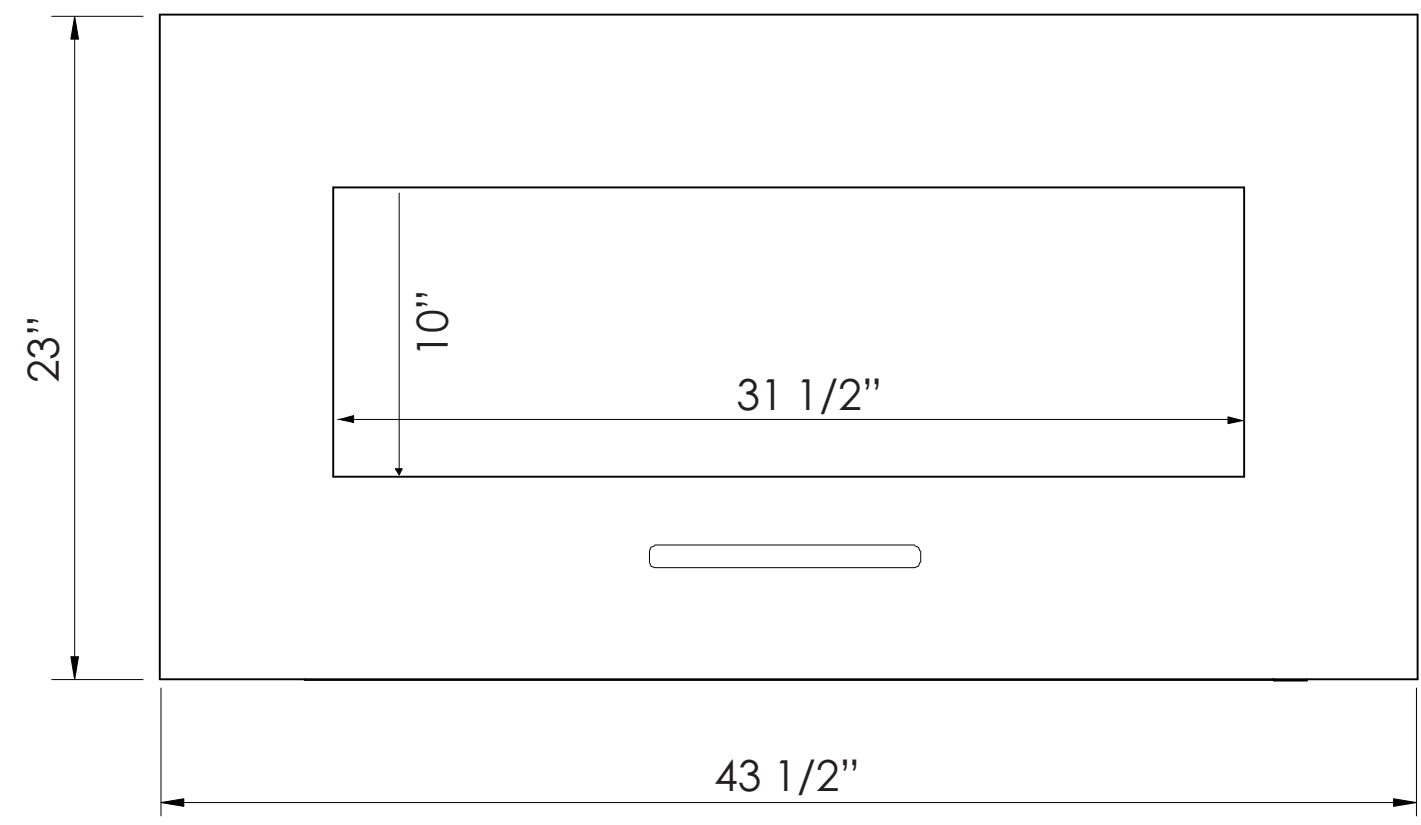



TECHNICAL SPECIFICATIONS

| | | |
|-----------------------|-------------|--------------------------|
| VOLTS | | 120 |
| AMPS | | 12.5 |
| WATTS | | 1465 |
| HEATER | HIGH | 1465 watts |
| | LOW | 750 watts |
| NO HEATER | | 22 watts |
| LAMPS | QUANTITY | LED |
| | WATTS | |
| | TOTAL WATTS | 22 watts |
| ROTOR MOTOR | | 1 at 5 watts |
| HEIGHT, WIDTH, DEPTH | | 19 7/8 x 33 1/2 x 6 1/8" |
| GLASS VIEWING OPENING | | 31 1/2 x 10 |
| GLASS SIZE | | 43 1/2 x 23 |
| SHIPPING SIZE | | 47 1/4 x 9 1/8 x 25 1/4 |
| SHIPPING WEIGHT | | 63.1 lbs |
| | UNIT | |
| GLASS FRONT | | Included |
| PLUG LOCATION | | Left Side |
| CORD LENGTH | | 76" |
| APPROX. HEATING AREA | | 400 sq ft |



| | | | |
|------------------|---------------------------|---|--------------|
| SERIES WM-BI | MODEL WM-FM-34-4423-BG |  | REV 1 |
| SCALE 1" = 1'-0" | DATE: 12/15/2015 | | SHEET 1 OF 1 |