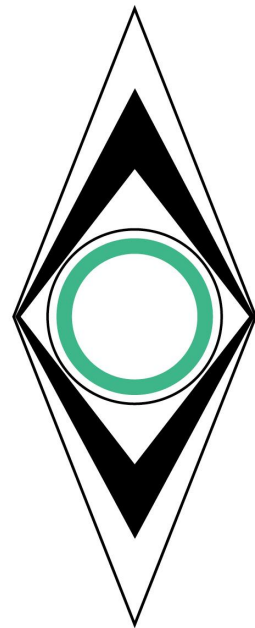


4 | 3 | 2 | 1

HOISTWAY FRAMING & ELECTRICAL SPECIFICATIONS

GENERAL CONTRACTORS AND FRAMERS:
FOR COMPLETE HOISTWAY LAYOUT AND STRUCTURE REQUIREMENTS FOR ELEVATOR INSTALLATION,
PLEASE REFER TO THE ATTACHED DRAWINGS.



HYBRID ELEVATOR INC.

**MANUFACTURERS OF:
ELEVATORS AND DISABILITY LIFTS**

16 - 364 LOUGHEED ROAD
KELOWNA, BC V1X 7R8
778-484-0064

PROJECT: _____

DATE: _____

CONFIDENTIAL & PROPRIETARY: INFORMATION CONTAINED WITHIN IS PROPRIETARY TO HYBRID ELEVATOR INC.
USE OR DISCLOSURE WITHOUT WRITTEN CONSENT OF HYBRID ELEVATOR IS EXPRESSLY FORBIDDEN.

4 | 3 | 2 | 1

4

3

2

1

HOISTWAY PIT DIMENSIONS *

HOISTWAY TYPE	DRIVE SIDE	LUMBER TYPE	CAR DEPTH (FT.)	CAR WIDTH (FT.)	PIT DIM 'A' (IN.)	PIT DIM 'B' (IN.)
1	LT/RT	STD/LVL	3	4	49	49.5
1	RW	STD/LVL	3	4	42	56.5
2	LT/RT	STD/LVL	3	4	49	48
1	LT/RT	STD/LVL	3	5	49	61.5
2	LT/RT	STD/LVL	3	5	49	60
3	RW	STD/LVL	3	5	61.5	47.7
4	RW	STD/LVL	3	5	61.5	47.5
1	LT/RT	STD/LVL	4	4	58	50
1	RW	STD/LVL	4	4	50	56.5
2	LT/RT	STD/LVL	4	4	58	48
3	LT/RW	STD/LVL	4	4	65.5	49
4	RT/RW	STD/LVL	4	4	56.5	49
1	LT/RT	STD/LVL	4	5	58	61.5
1	RW	STD/LVL	4	5	61	56.5
2	LT/RT	STD/LVL	4	5	58	60
3	LT/RW	STD/LVL	4	5	61.5	56.5
4	RT/RW	STD/LVL	4	5	61.5	56.5

* SEE NOTES 4 AND 5

NOTES:

1. SLAB DETAILS: 5 IN. x 5 IN. GRID, MIN. 3/8 IN. [10mm] REBAR TO WITHSTAND IMPACT LOAD OF 5000 LB. MINIMUM THICKNESS: 4 IN.
2. STANDARD PIT DEPTH: 16 IN.; MINIMUM PIT DEPTH: 10 IN. CUSTOM PIT DEPTHS (TO 0 IN.) AVAILABLE UPON REQUEST.
3. CONCRETE PIT FLOOR AND WALLS TO BE FINISHED SMOOTH, LEVEL, AND SQUARE.
4. DIMENSIONS LISTED FOR EACH CONFIGURATION SHOULD BE CONSIDERED AS MINIMUMS; PLEASE REFER TO SITE HOISTWAY DRAWING FOR CORRECT ORIENTATION.
5. FOR OTHER PIT SIZES, PLEASE CONSULT WITH HEI ENGINEERING.

ELEVATOR PIT DETAILS

DIMENSIONS SHOULD MATCH HOISTWAY FINISHED OPENING DIMENSIONS

DIMENSION 'A'

DIMENSION 'B'

TOP (PLAN) VIEW

DIMENSION 'B'

DIMENSION 'A'

FRONT OF HOISTWAY

ISOMETRIC VIEW

MINIMUM CONCRETE THICKNESS: SEE NOTE 1

CONCRETE FINISH REQUIREMENTS: SEE NOTE 3

STEEL-REINFORCED CONCRETE SLAB: SEE NOTE 1

FRONT VIEW

STANDARD PIT DEPTH: SEE NOTE 2

CONFIDENTIAL & PROPRIETARY
THIS DOCUMENT CONTAINS INFORMATION PROPRIETARY TO HYBRID ELEVATOR INC. USE OR DISCLOSURE WITHOUT WRITTEN CONSENT OF HYBRID ELEVATOR IS EXPRESSLY FORBIDDEN.

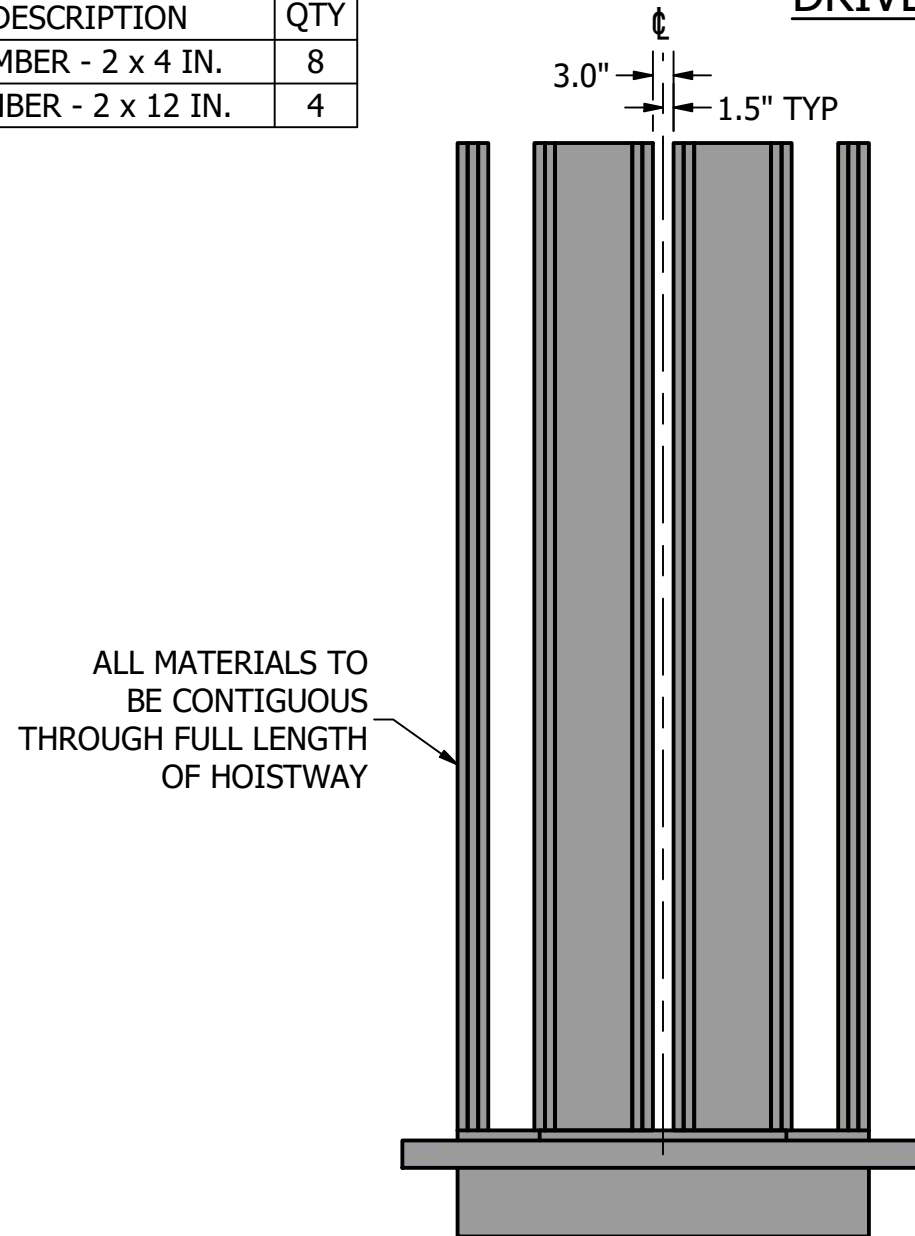
ALL DIMENSIONS IN INCHES	
DRAWN CS	2019-09-03
APPROVED HYBRID ELEVATOR	2019-09-03
3rd ANGLE PROJECTION	

HYBRID ELEVATOR INC.MANUFACTURERS OF:
ELEVATORS AND DISABILITY LIFTS#16 - 634 LOUGHEED ROAD
KELOWNA, BC V1X 7R8
778-484-0064**PROPRIETARY AND CONFIDENTIAL**

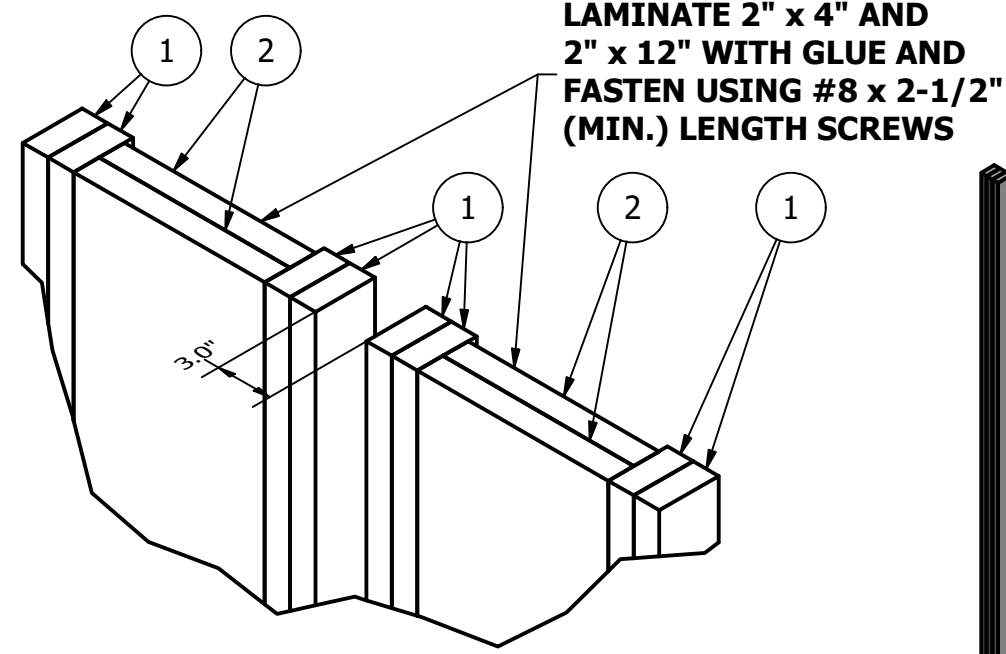
TITLE		DRAWING #		REV
CONSTRUCTION DETAILS: ELEVATOR PIT		HEI-CST-001		0
SIZE B	SCALE NTS	SHEET 1 OF 1		

PARTS LIST - DRIVE WALL BRACING		
ITEM #	DESCRIPTION	QTY
1	LUMBER - 2 x 4 IN.	8
2	LUMBER - 2 x 12 IN.	4

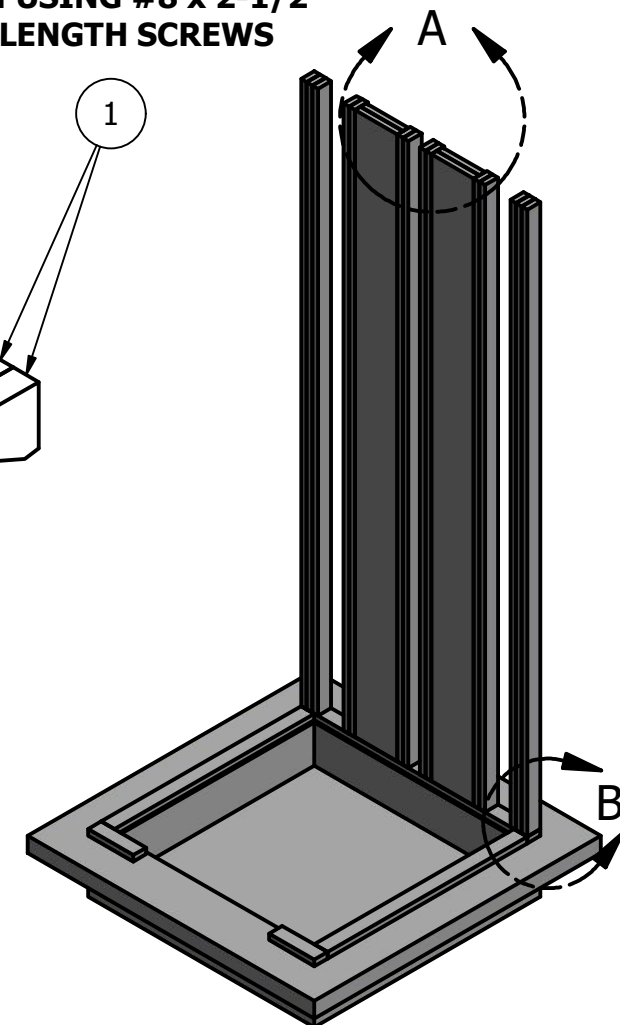
DRIVE WALL BRACING: STANDARD & LVL LUMBER



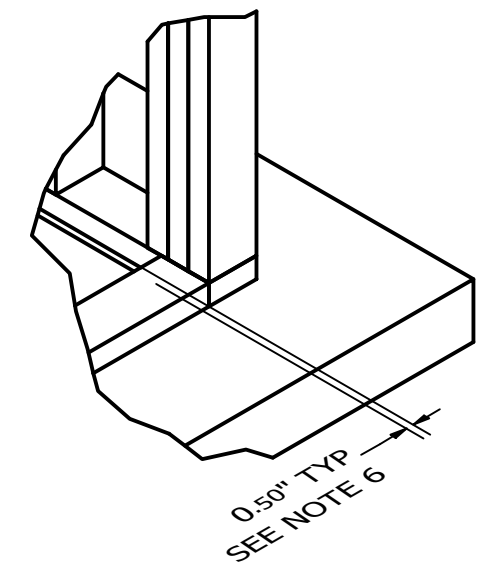
FRONT VIEW



DETAIL A
SCALE 1:8



ISOMETRIC VIEW




DETAIL B
SCALE 1:10

NOTES:

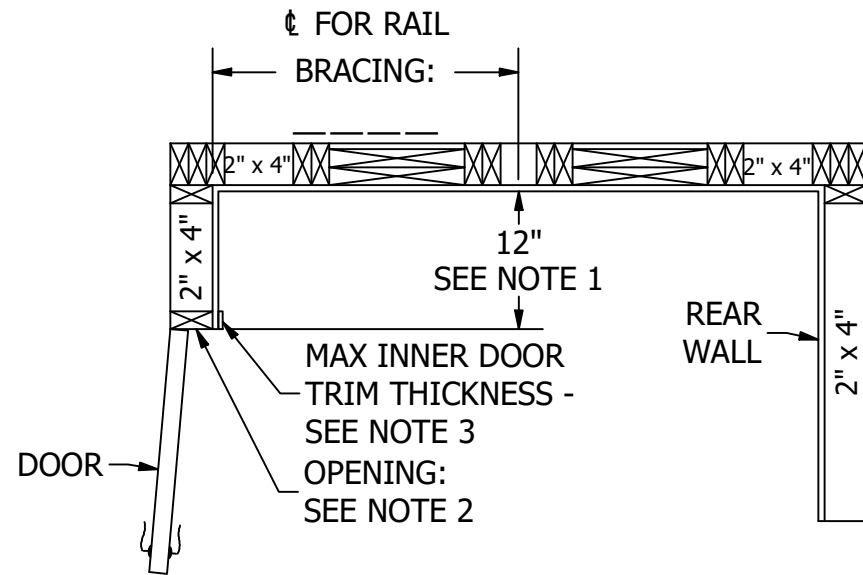
- BRACING PATTERN SHOWN FOR ALL ELEVATOR CONFIGURATIONS (XS/STD/XL).
- DRIVE WALL BRACING SHOULD BE CENTERED ON ELEVATOR PIT DRIVE WALL LOCATION, UNLESS OTHERWISE SPECIFIED.
- OVERLAP JOINTS AS NECESSARY FOR STRUCTURAL SUPPORT.
- ELEVATOR RAIL BACKING MUST BE TIED TO A HORIZONTAL STRUCTURAL MEMBER (HEADER OR FLOOR PLATE) AT TOP & BOTTOM, WITH A MAXIMUM OF 12 FT./3.66m IN BETWEEN.
- CONTRACTOR IS RESPONSIBLE FOR ENSURING ADEQUATE SUPPORT IN WALL FOR ELEVATOR RAIL FASTENING. VERTICAL SPANS OF ELEVATOR RAIL BACKING MUST NOT EXCEED INTERVALS OF 12 FT./3.66m WITHOUT INTERMEDIATE BACKING.
- DRIVE WALL FRAMING SHOULD BE OFFSET 1/2 IN./13mm FROM ELEVATOR PIT DRIVE WALL AND SHEETED WITH 1/2 IN. PLYWOOD. ALL FINISHED HOISTWAY WALLS **MUST BE FLUSH** WITH ELEVATOR PIT WALLS.
- IF ICF MATERIAL IS SPECIFIED, **PLEASE CONTACT HYBRID ELEVATOR** FOR INSTRUCTIONS.

CONFIDENTIAL & PROPRIETARY
THIS DOCUMENT CONTAINS INFORMATION
PROPRIETARY TO HYBRID ELEVATOR INC.
USE OR DISCLOSURE WITHOUT WRITTEN
CONSENT OF HYBRID ELEVATOR IS
EXPRESSLY FORBIDDEN.

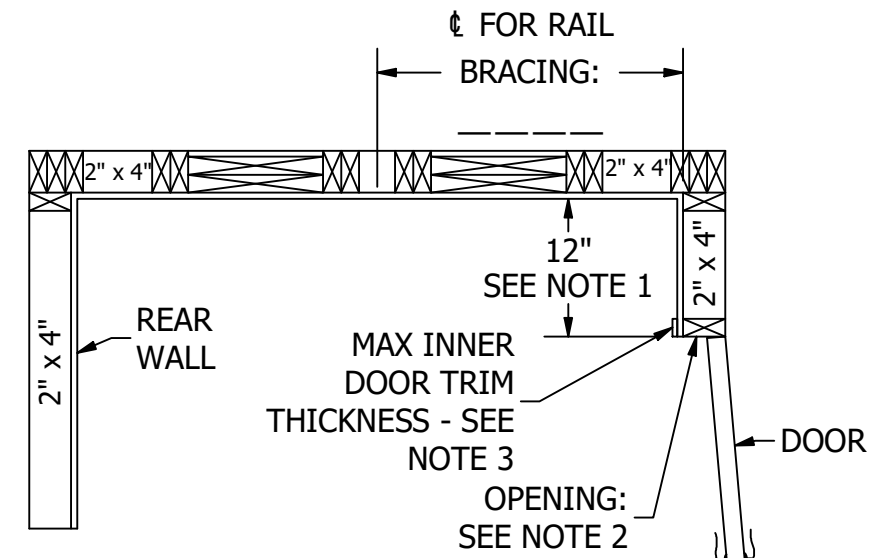
ALL DIMENSIONS IN INCHES	
DRAWN CS	2019-09-03
APPROVED HYBRID ELEVATOR	2019-09-03
3rd ANGLE PROJECTION	

 <p>HYBRID ELEVATOR INC. MANUFACTURERS OF: ELEVATORS AND DISABILITY LIFTS</p> <p>#16 - 634 LOUGHEED ROAD KELOWNA, BC V1X 7R8 778-484-0064</p> <p>PROPRIETARY AND CONFIDENTIAL</p>		TITLE CONSTRUCTION DETAILS: DRIVE WALL BRACING (STD/LVL)	
		SIZE B	DRAWING # HEI-CST-002
SCALE NTS		SHEET 1 OF 1	

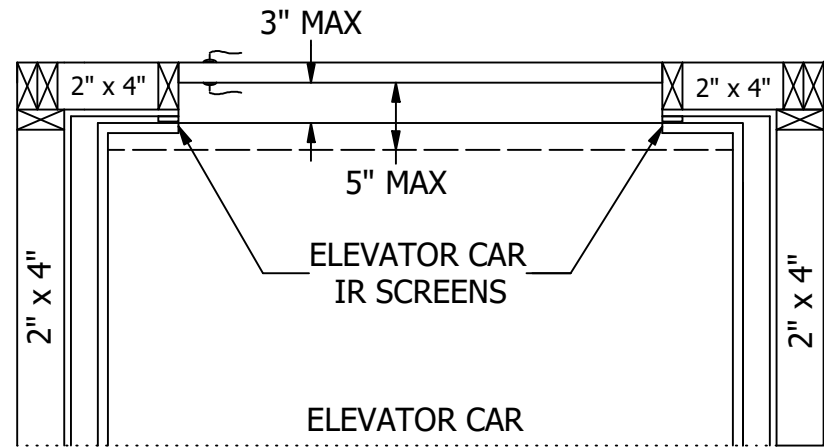
DOOR LAYOUTS



LEFT HAND DRIVE

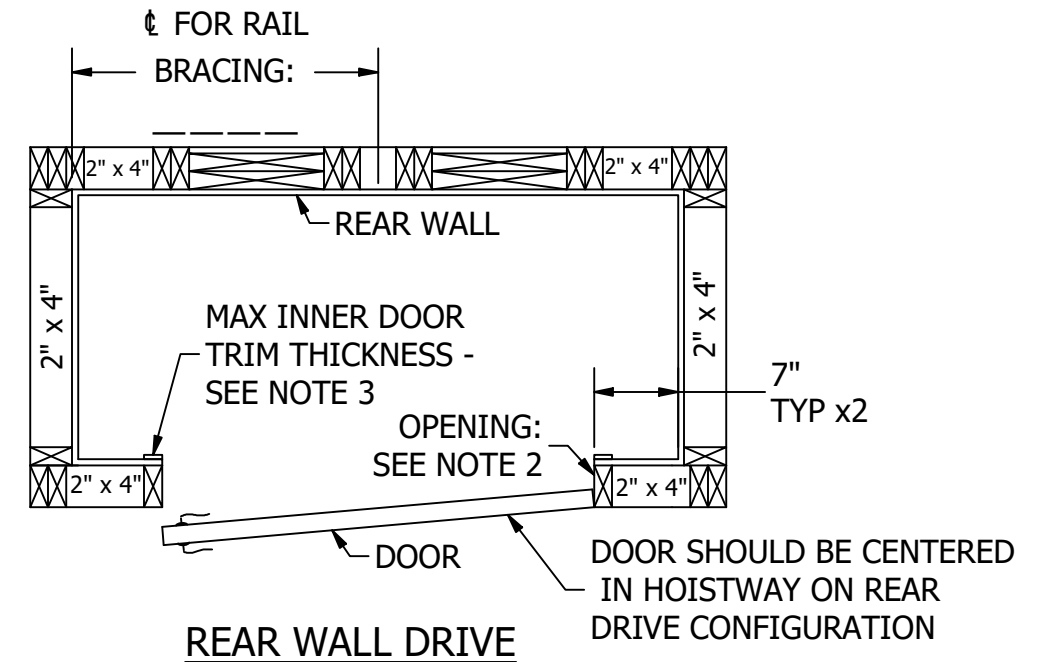


RIGHT HAND DRIVE



3 X 5 ELEVATOR RULE

ELEVATOR DOORS MUST MEET THE 3 x 5 RULE:
 MAX DISTANCE 3 IN./75mm BETWEEN INSIDE FACE OF HOISTWAY DOOR AND ELEVATOR CAR.
 MAX DISTANCE 5 IN./125mm BETWEEN INSIDE FACE OF HOISTWAY DOOR AND IR SAFETY SCREENS.



REAR WALL DRIVE

DOOR SHOULD BE CENTERED IN HOISTWAY ON REAR DRIVE CONFIGURATION

- NOTES:
1. REQUIRED CLEAR DISTANCE (12 IN./300mm) INSIDE FROM FINISHED WALL (1/2 IN. PLYWOOD OR DRYWALL) TO EDGE OF FINISHED DOOR FRAME FOR LEFT- OR RIGHT-DRIVE CONFIGURATIONS.
 2. **DOORS MUST BE IN LINE AND PLUMB TO EACH OTHER FLOOR TO FLOOR. MAXIMUM 1 IN. RUNNING CLEARANCE BETWEEN THE HOISTWAY WALLS AND THE ELEVATOR CAR.**
 3. **FLOOR. MAXIMUM 1 IN. RUNNING CLEARANCE BETWEEN THE HOISTWAY WALLS AND THE ELEVATOR CAR.**
 4. **HOISTWAY WALLS AND THE ELEVATOR CAR.**
 5. MAXIMUM INNER DOOR TRIM THICKNESS (OUTSIDE OF DRYWALL) IS 3/8 IN./10mm (BY CODE) FOR RUNNING CLEARANCE.
 6. DOOR FRAMING MUST BE OF 2" x 4" CONSTRUCTION, OR DOOR MUST BE RECESSED, TO MEET ELEVATOR CODE.

* REFER TO SPECIFIC HOISTWAY DRAWINGS FOR ADDITIONAL INFORMATION AND DETAILS.

CONFIDENTIAL & PROPRIETARY
 THIS DOCUMENT CONTAINS INFORMATION PROPRIETARY TO HYBRID ELEVATOR INC. USE OR DISCLOSURE WITHOUT WRITTEN CONSENT OF HYBRID ELEVATOR IS EXPRESSLY FORBIDDEN.

ALL DIMENSIONS IN INCHES		TITLE	
DRAWN CS	2019-09-16	CONSTRUCTION DETAILS: DOOR LAYOUTS	
APPROVED HYBRID ELEVATOR	2019-09-16	SIZE B	DRAWING # HEI-CST-003
3rd ANGLE PROJECTION		SCALE NTS	REV 0
		SHEET 1 OF 1	

HYBRID ELEVATOR INC.
 MANUFACTURERS OF:
 ELEVATORS AND DISABILITY LIFTS
 #16 - 634 LOUGHEED ROAD
 KELOWNA, BC V1X 7R8
 778-484-0064
PROPRIETARY AND CONFIDENTIAL

RH DRIVE WALL DETAILS

TABLE 1 - DOOR OFFSET DISTANCE

HOISTWAY DWG	CAR SIZE (FT.)	DISTANCE (IN.)
HEI-34-1RT	3 x 4	11.0
HEI-34-2RT	3 x 4	11.0
HEI-35-1RT	3 x 5	11.0
HEI-35-2RT	3 x 5	11.0
HEI-44-1RT	4 x 4	14.5
HEI-44-2RT	4 x 4	14.5
HEI-44-4RT	4 x 4	14.5
HEI-45-1RT	4 x 5	14.5
HEI-45-2RT	4 x 5	14.5

LOCATE ELECTRICAL COMPONENTS IN EITHER LOCATION (PER DWG HEI-CST-007)

ENTRY/EXIT WALL TO BE SHEETED, MUDDERED, TAPED, AND PAINTED CORNER TO CORNER, TOP TO BOTTOM

DOOR MOULDING: 3/8 IN. MAXIMUM, ALL SIDES - TYP x2

LANDING DOOR SUPPLIED BY GENERAL CONTRACTOR; 36 IN. DOOR RECOMMENDED FOR WHEELCHAIR ACCESSIBILITY

NOTES:

- MAXIMUM 12 FT./3.66m FOR VERTICAL ELEVATOR RAIL SUPPORTS WITHOUT INTERMEDIATE SUPPORT.
- DISTANCE FROM DRIVE WALL TO OUTSIDE OF DOOR JAMB VARIES WITH CAR SIZE; SEE TABLE 1.
- MINIMUM OVERHEAD DISTANCE FROM TOP FLOOR DOOR FRAME:
7-FOOT ELEVATOR CAR: 14 IN./355mm
8-FOOT ELEVATOR CAR: 26 IN./660mm
- HOISTWAY FRAMING MUST BE SET BACK 1/2 IN./13mm TO ALLOW DRYWALL OR PLYWOOD TO BE FLUSH WITH ELEVATOR PIT WALLS.
- HOISTWAY WALL(S) AND DOOR(S) ON LANDING SIDE(S) MUST BE PLUMB.



HYBRID ELEVATOR INC.

MANUFACTURERS OF:
ELEVATORS AND DISABILITY LIFTS

#16 - 634 LOUGHEED ROAD
KELOWNA, BC V1X 7R8
778-484-0064

PROPRIETARY AND CONFIDENTIAL

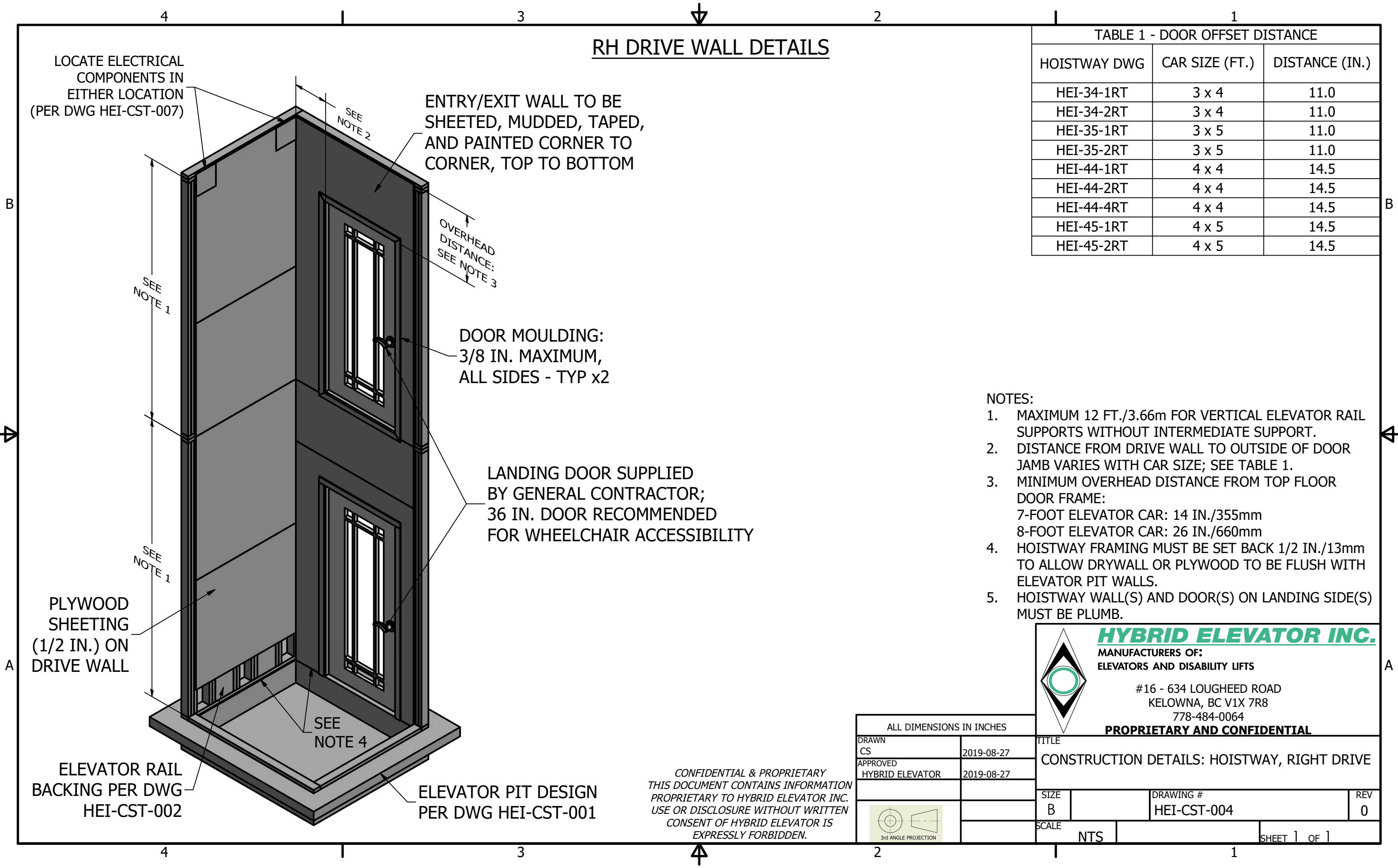
ALL DIMENSIONS IN INCHES		TITLE	
DRAWN CS	2019-08-27	CONSTRUCTION DETAILS: HOISTWAY, RIGHT DRIVE	
APPROVED HYBRID ELEVATOR	2019-08-27	SIZE B	DRAWING # HEI-CST-004
3rd ANGLE PROJECTION		SCALE NTS	REV 0
		SHEET 1 OF 1	

CONFIDENTIAL & PROPRIETARY
THIS DOCUMENT CONTAINS INFORMATION
PROPRIETARY TO HYBRID ELEVATOR INC.
USE OR DISCLOSURE WITHOUT WRITTEN
CONSENT OF HYBRID ELEVATOR IS
EXPRESSLY FORBIDDEN.

PLYWOOD SHEETING (1/2 IN.) ON DRIVE WALL

ELEVATOR RAIL BACKING PER DWG HEI-CST-002

ELEVATOR PIT DESIGN PER DWG HEI-CST-001



LH DRIVE WALL DETAILS

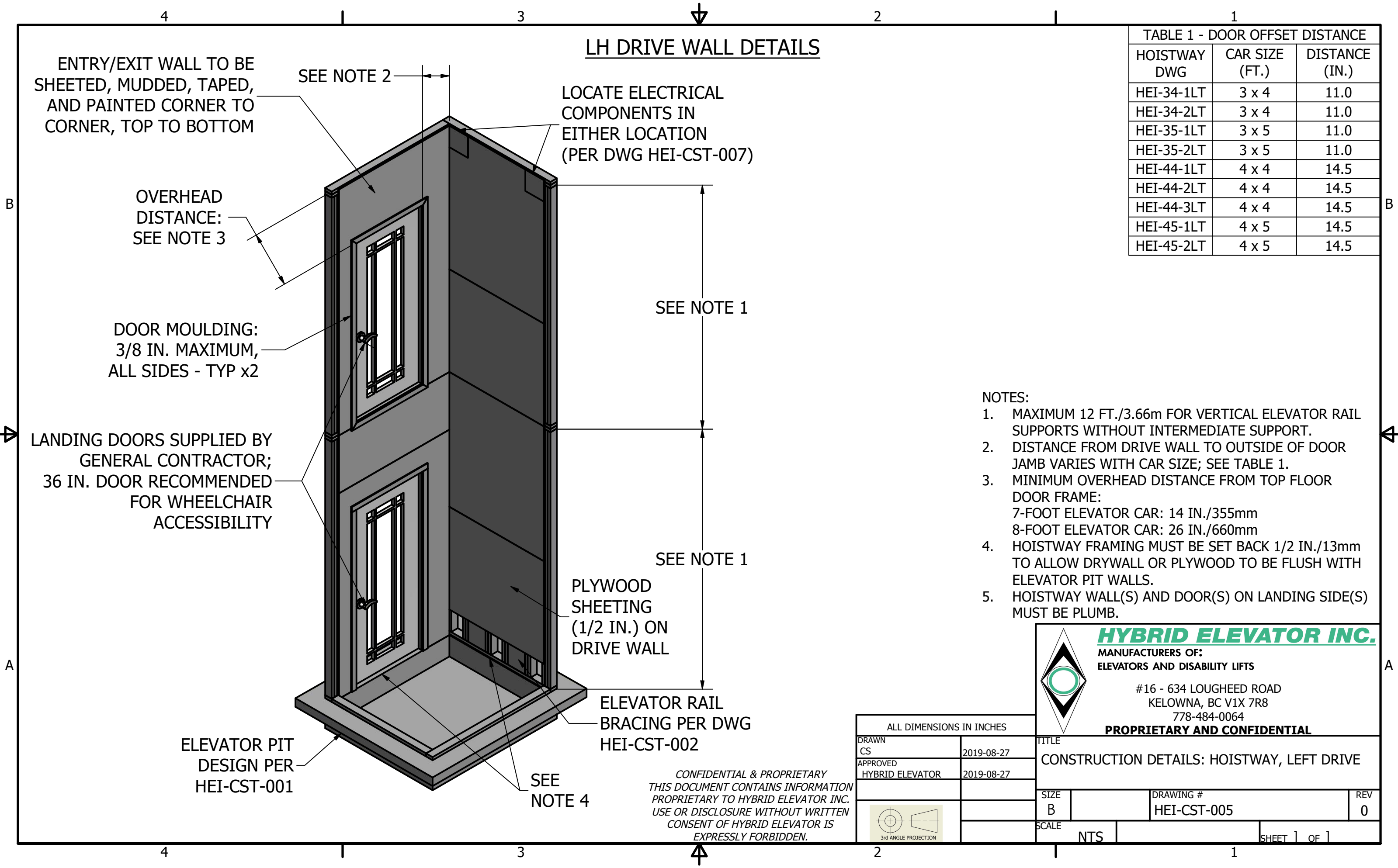


TABLE 1 - DOOR OFFSET DISTANCE

HOISTWAY DWG	CAR SIZE (FT.)	DISTANCE (IN.)
HEI-34-1LT	3 x 4	11.0
HEI-34-2LT	3 x 4	11.0
HEI-35-1LT	3 x 5	11.0
HEI-35-2LT	3 x 5	11.0
HEI-44-1LT	4 x 4	14.5
HEI-44-2LT	4 x 4	14.5
HEI-44-3LT	4 x 4	14.5
HEI-45-1LT	4 x 5	14.5
HEI-45-2LT	4 x 5	14.5

NOTES:

1. MAXIMUM 12 FT./3.66m FOR VERTICAL ELEVATOR RAIL SUPPORTS WITHOUT INTERMEDIATE SUPPORT.
2. DISTANCE FROM DRIVE WALL TO OUTSIDE OF DOOR JAMB VARIES WITH CAR SIZE; SEE TABLE 1.
3. MINIMUM OVERHEAD DISTANCE FROM TOP FLOOR DOOR FRAME:
7-FOOT ELEVATOR CAR: 14 IN./355mm
8-FOOT ELEVATOR CAR: 26 IN./660mm
4. HOISTWAY FRAMING MUST BE SET BACK 1/2 IN./13mm TO ALLOW DRYWALL OR PLYWOOD TO BE FLUSH WITH ELEVATOR PIT WALLS.
5. HOISTWAY WALL(S) AND DOOR(S) ON LANDING SIDE(S) MUST BE PLUMB.

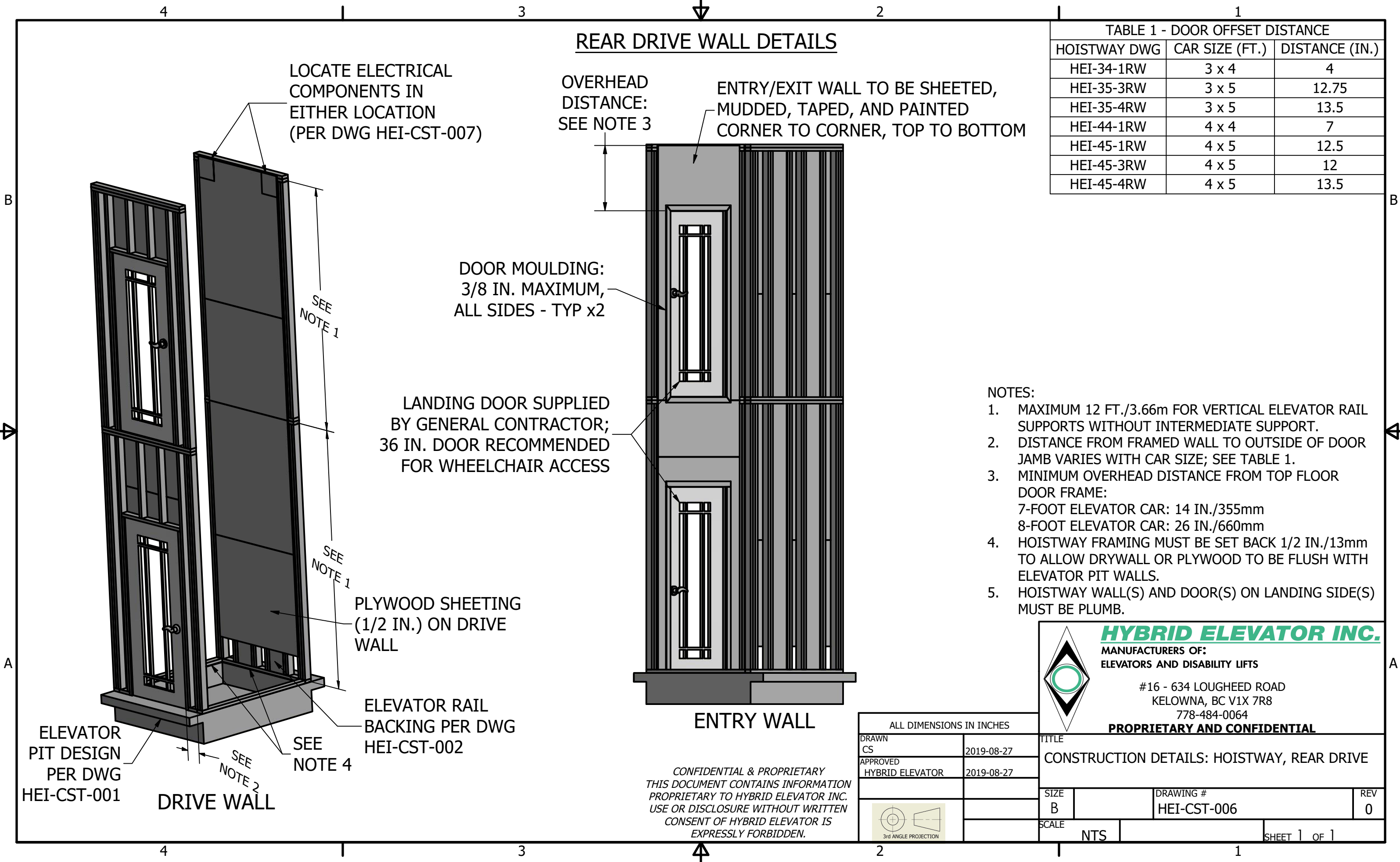
HYBRID ELEVATOR INC.
 MANUFACTURERS OF:
 ELEVATORS AND DISABILITY LIFTS

#16 - 634 LOUGHEED ROAD
 KELOWNA, BC V1X 7R8
 778-484-0064

PROPRIETARY AND CONFIDENTIAL

ALL DIMENSIONS IN INCHES		TITLE	
DRAWN CS	2019-08-27	CONSTRUCTION DETAILS: HOISTWAY, LEFT DRIVE	
APPROVED HYBRID ELEVATOR	2019-08-27	SIZE B	DRAWING # HEI-CST-005
		SCALE NTS	REV 0
		SHEET 1 OF 1	

CONFIDENTIAL & PROPRIETARY
 THIS DOCUMENT CONTAINS INFORMATION
 PROPRIETARY TO HYBRID ELEVATOR INC.
 USE OR DISCLOSURE WITHOUT WRITTEN
 CONSENT OF HYBRID ELEVATOR IS
 EXPRESSLY FORBIDDEN.



REAR DRIVE WALL DETAILS

TABLE 1 - DOOR OFFSET DISTANCE		
HOISTWAY DWG	CAR SIZE (FT.)	DISTANCE (IN.)
HEI-34-1RW	3 x 4	4
HEI-35-3RW	3 x 5	12.75
HEI-35-4RW	3 x 5	13.5
HEI-44-1RW	4 x 4	7
HEI-45-1RW	4 x 5	12.5
HEI-45-3RW	4 x 5	12
HEI-45-4RW	4 x 5	13.5

LOCATE ELECTRICAL COMPONENTS IN EITHER LOCATION (PER DWG HEI-CST-007)

OVERHEAD DISTANCE: SEE NOTE 3

ENTRY/EXIT WALL TO BE SHEETED, MUDDERED, TAPED, AND PAINTED CORNER TO CORNER, TOP TO BOTTOM

DOOR MOULDING: 3/8 IN. MAXIMUM, ALL SIDES - TYP x2

LANDING DOOR SUPPLIED BY GENERAL CONTRACTOR; 36 IN. DOOR RECOMMENDED FOR WHEELCHAIR ACCESS

PLYWOOD SHEETING (1/2 IN.) ON DRIVE WALL

ELEVATOR RAIL BACKING PER DWG HEI-CST-002

ELEVATOR PIT DESIGN PER DWG HEI-CST-001

DRIVE WALL

ENTRY WALL

CONFIDENTIAL & PROPRIETARY
THIS DOCUMENT CONTAINS INFORMATION PROPRIETARY TO HYBRID ELEVATOR INC. USE OR DISCLOSURE WITHOUT WRITTEN CONSENT OF HYBRID ELEVATOR IS EXPRESSLY FORBIDDEN.

NOTES:

- MAXIMUM 12 FT./3.66m FOR VERTICAL ELEVATOR RAIL SUPPORTS WITHOUT INTERMEDIATE SUPPORT.
- DISTANCE FROM FRAMED WALL TO OUTSIDE OF DOOR JAMB VARIES WITH CAR SIZE; SEE TABLE 1.
- MINIMUM OVERHEAD DISTANCE FROM TOP FLOOR DOOR FRAME:
7-FOOT ELEVATOR CAR: 14 IN./355mm
8-FOOT ELEVATOR CAR: 26 IN./660mm
- HOISTWAY FRAMING MUST BE SET BACK 1/2 IN./13mm TO ALLOW DRYWALL OR PLYWOOD TO BE FLUSH WITH ELEVATOR PIT WALLS.
- HOISTWAY WALL(S) AND DOOR(S) ON LANDING SIDE(S) MUST BE PLUMB.

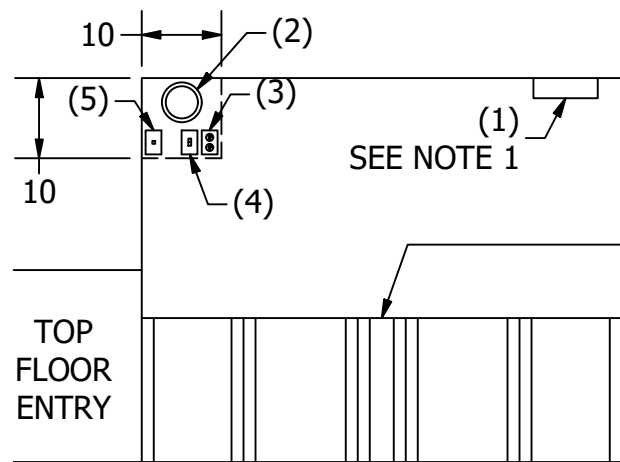
HYBRID ELEVATOR INC.
MANUFACTURERS OF:
ELEVATORS AND DISABILITY LIFTS

#16 - 634 LOUGHEED ROAD
KELOWNA, BC V1X 7R8
778-484-0064

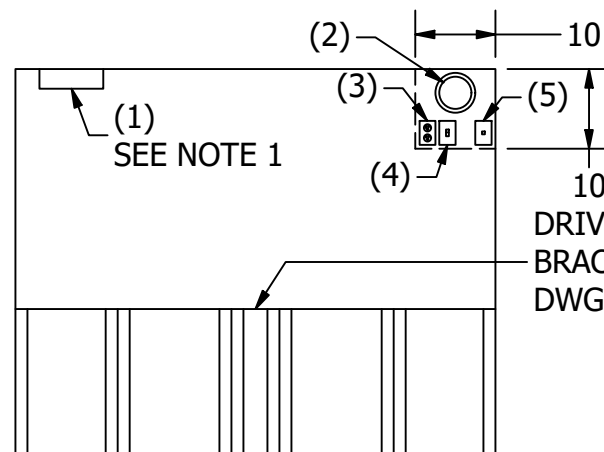
PROPRIETARY AND CONFIDENTIAL

ALL DIMENSIONS IN INCHES		TITLE	
DRAWN CS	2019-08-27	CONSTRUCTION DETAILS: HOISTWAY, REAR DRIVE	
APPROVED HYBRID ELEVATOR	2019-08-27	SIZE B	DRAWING # HEI-CST-006
3rd ANGLE PROJECTION		SCALE NTS	REV 0
		SHEET 1 OF 1	

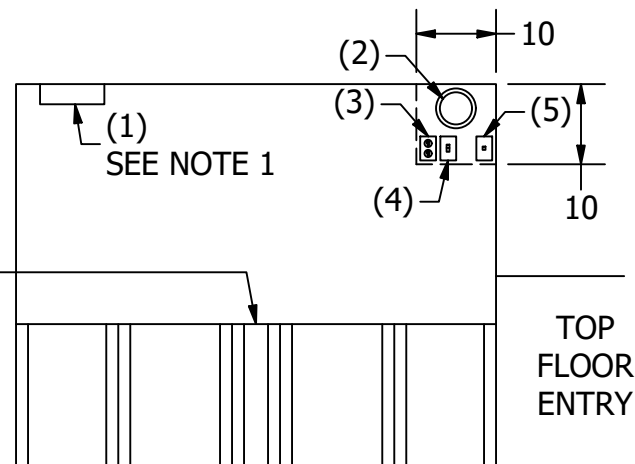
ELECTRICAL COMPONENT PLACEMENT DETAILS



LEFT-SIDE DRIVE WALL
WHEN LOOKING AT DRIVE WALL,
ELECTRICAL COMPONENTS ARE
PLACED IN TOP LEFT CORNER



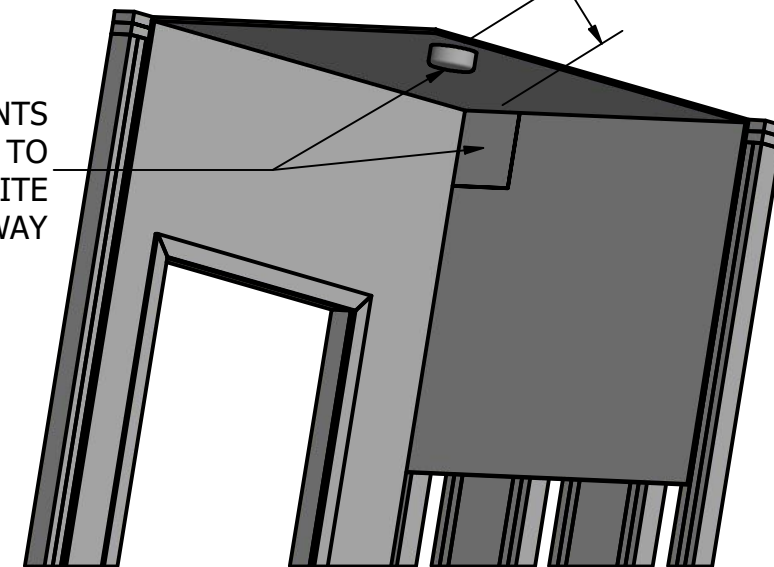
REAR DRIVE WALL
WHEN LOOKING AT DRIVE WALL,
ELECTRICAL COMPONENTS ARE
PLACED IN TOP RIGHT CORNER



RIGHT-SIDE DRIVE WALL
WHEN LOOKING AT DRIVE WALL,
ELECTRICAL COMPONENTS ARE
PLACED IN TOP RIGHT CORNER

MIN. DISTANCE OF
24 IN./610mm BETWEEN
ELECTRICAL COMPONENTS
AND SMOKE DETECTOR

ELECTRICAL COMPONENTS
AND SMOKE DETECTOR TO
BE INSTALLED ON OPPOSITE
SIDES OF HOISTWAY



SMOKE DETECTOR LOCATION

COMPONENT LIST

- (1) SMOKE DETECTOR, HARD WIRED (NOT BATTERY-OPERATED)
- (2) SERVICE LIGHT WITH ENCLOSED BULB COVER
- (3) DUPLEX RECEPTACLE, DESIGNATED CIRCUIT W/15 AMP BREAKER, 120/1/60
- (4) SERVICE LIGHT SWITCH
- (5) PHONE JACK FOR ELEVATOR TELEPHONE

ADDITIONAL NOTES:

- 1. SMOKE DETECTOR MUST BE INSTALLED (REQUIRED BY CODE) AND PLACED 24 IN./610mm (MIN.) FROM LIGHT ON OPPOSITE SIDE OF HOISTWAY CEILING.
- 2. CO2 DETECTOR **MUST NOT BE INSTALLED** IN ELEVATOR HOISTWAY.

*CONFIDENTIAL & PROPRIETARY
THIS DOCUMENT CONTAINS INFORMATION
PROPRIETARY TO HYBRID ELEVATOR INC.
USE OR DISCLOSURE WITHOUT WRITTEN
CONSENT OF HYBRID ELEVATOR IS
EXPRESSLY FORBIDDEN.*

ALL DIMENSIONS IN INCHES	
DRAWN CS	2019-09-16
APPROVED HYBRID ELEVATOR	2019-09-16
3rd ANGLE PROJECTION	

HYBRID ELEVATOR INC.
MANUFACTURERS OF:
ELEVATORS AND DISABILITY LIFTS

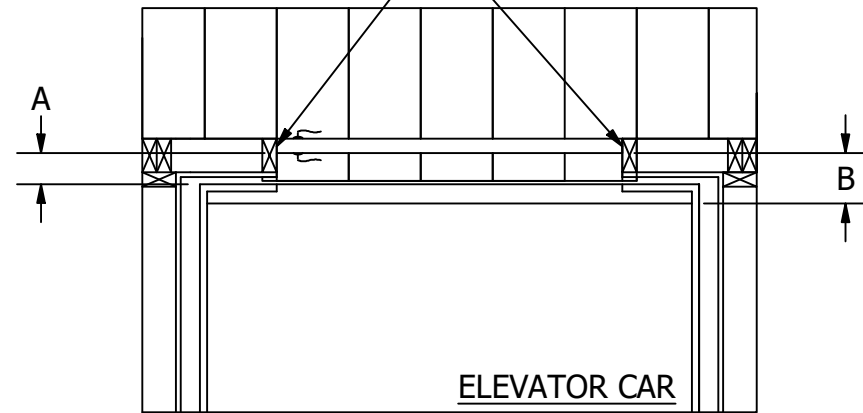
#16 - 634 LOUGHEED ROAD
KELOWNA, BC V1X 7R8
778-484-0064

PROPRIETARY AND CONFIDENTIAL

TITLE CONSTRUCTION DETAILS: HOISTWAY, ELECTRICAL PLACEMENT		SIZE B	DRAWING # HEI-CST-007	REV 0
SCALE NTS		SHEET 1 OF 1		

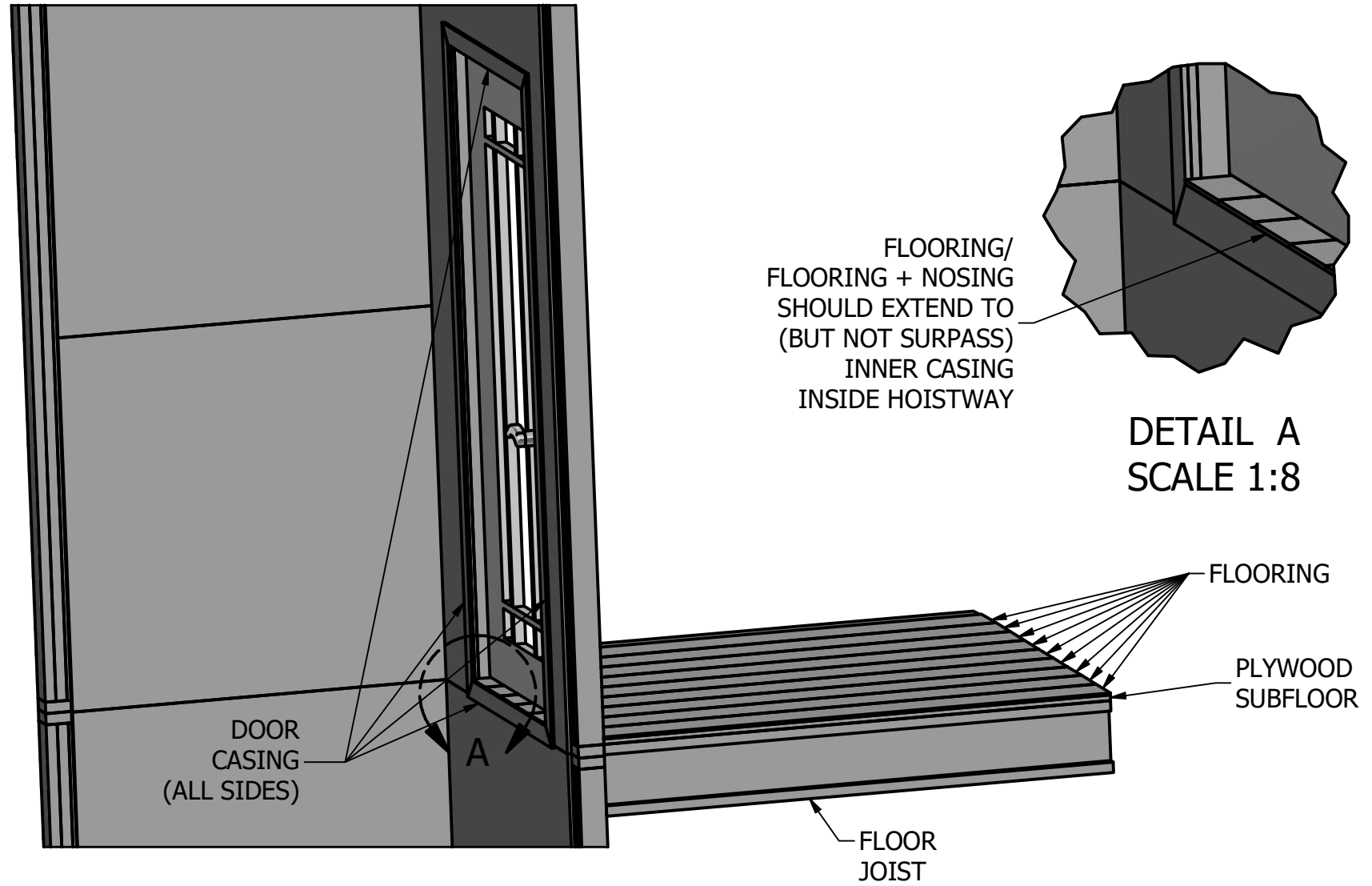
FLOORING & CLEARANCE DETAILS

DOOR MOULDING SHOULD BE INSTALLED ON TOP OF FLOORING AT ELEVATOR ENTRANCES



3 x 5 ELEVATOR RULE

ELEVATOR DOORS MUST MEET THE 3 x 5 RULE:
 MAX DISTANCE 3 IN./75mm BETWEEN INSIDE FACE OF HOISTWAY DOOR AND ELEVATOR CAR [DIMENSION 'A'].
 MAX DISTANCE 5 IN./125mm BETWEEN INSIDE FACE OF HOISTWAY DOOR AND IR SAFETY SCREENS [DIMENSION 'B'].



DETAIL A
SCALE 1:8

FLOORING DETAIL

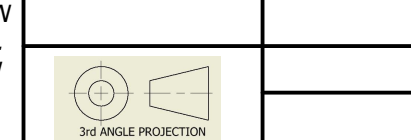
NOTES:

- DOORS MUST BE IN LINE AND PLUMB TO EACH OTHER FLOOR TO FLOOR. MAXIMUM 1 IN. RUNNING CLEARANCE BETWEEN THE HOISTWAY WALLS AND THE ELEVATOR CAR.**
- MAXIMUM INNER DOOR TRIM THICKNESS (OUTSIDE OF DRYWALL) IS 3/8 IN./10mm (BY CODE) FOR RUNNING CLEARANCE.
- DOOR FRAMING MUST BE OF 2" x 4" CONSTRUCTION, OR DOOR MUST BE RECESSED, TO MEET ELEVATOR CODE.

*CONFIDENTIAL & PROPRIETARY
 THIS DOCUMENT CONTAINS INFORMATION
 PROPRIETARY TO HYBRID ELEVATOR INC.
 USE OR DISCLOSURE WITHOUT WRITTEN
 CONSENT OF HYBRID ELEVATOR IS
 EXPRESSLY FORBIDDEN.*

ALL DIMENSIONS IN INCHES

DRAWN	CS	2019-09-16
APPROVED	HYBRID ELEVATOR	2019-09-16

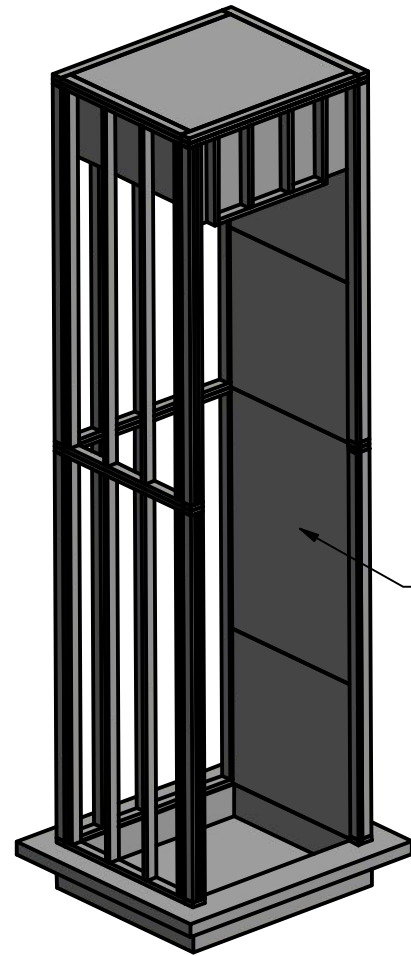


HYBRID ELEVATOR INC.
 MANUFACTURERS OF:
 ELEVATORS AND DISABILITY LIFTS
 #16 - 634 LOUGHEED ROAD
 KELOWNA, BC V1X 7R8
 778-484-0064
PROPRIETARY AND CONFIDENTIAL

TITLE		CONSTRUCTION DETAILS: FLOORING CLEARANCES	
SIZE	B	DRAWING #	HEI-CST-008
SCALE	NTS	REV	0

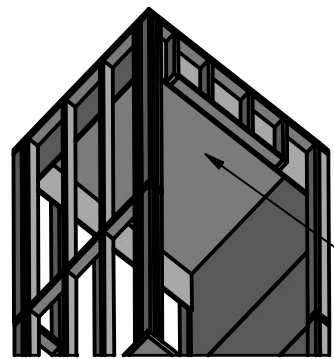
SHEET 1 OF 1	
--------------	--

PRE-MECHANICAL INSTALLATION DETAILS



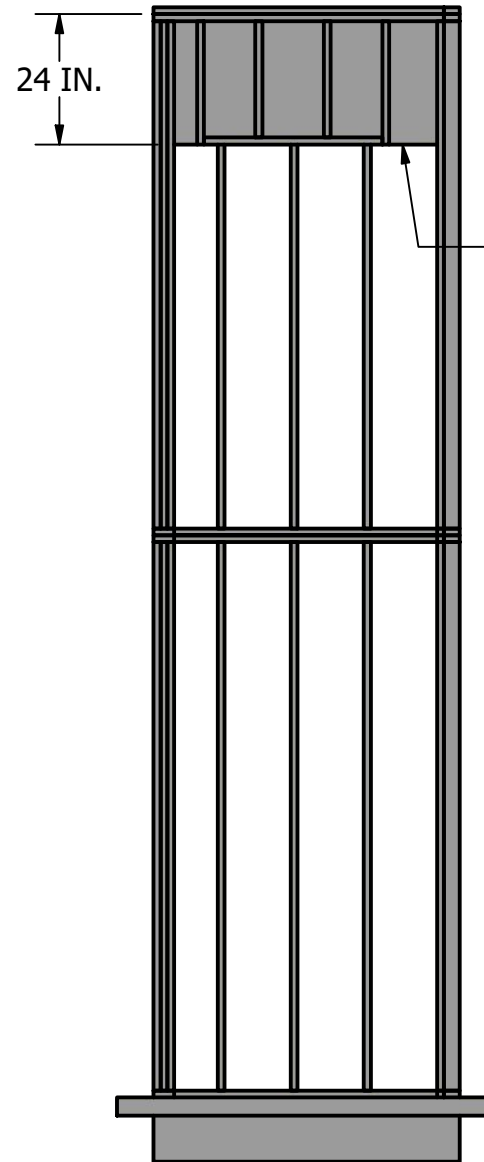
DRIVE WALL TO BE COMPLETELY SHEETED WITH 1/2 IN. PLYWOOD PRIOR TO MECHANICAL INSTALLATION

DRIVE WALL COVERAGE



CEILING TO BE SHEETED WITH PLYWOOD PRIOR TO MECHANICAL INSTALLATION

HOISTWAY CEILING COVERAGE



TOP 24 IN./1.2M OF WALLS ADJACENT TO AND OPPOSITE FROM DRIVE WALL (IF NOT DOORWAYS) TO BE SHEETED PRIOR TO MECHANICAL INSTALLATION

TOP WALL COVERAGE

NOTES:

- THE FOLLOWING AREAS OF THE HOISTWAY **MUST** BE SHEETED BEFORE MECHANICAL INSTALLATION CAN OCCUR:
 - DRIVE WALL
 - CEILING
 - TOP 24 IN./1.2m OF WALLS ADJACENT TO DRIVE WALL, EXCLUDING DOORWAY
- FOR ELECTRICAL COMPONENT LOCATIONS, PLEASE REFER TO DWG HEI-CST-007.

*CONFIDENTIAL & PROPRIETARY
THIS DOCUMENT CONTAINS INFORMATION
PROPRIETARY TO HYBRID ELEVATOR INC.
USE OR DISCLOSURE WITHOUT WRITTEN
CONSENT OF HYBRID ELEVATOR IS
EXPRESSLY FORBIDDEN.*

ALL DIMENSIONS IN INCHES	
DRAWN CS	2019-09-16
APPROVED HYBRID ELEVATOR	2019-09-16
 3rd ANGLE PROJECTION	

 HYBRID ELEVATOR INC. MANUFACTURERS OF: ELEVATORS AND DISABILITY LIFTS #16 - 634 LOUGHEED ROAD KELOWNA, BC V1X 7R8 778-484-0064 PROPRIETARY AND CONFIDENTIAL			
TITLE		CONSTRUCTION DETAILS: PRE-MECHANICAL INSTALLATION REQUIREMENTS	
SIZE	B	DRAWING #	HEI-CST-009
SCALE	NTS	REV	0
			SHEET 1 OF 1